

**LALIZAS Foam Folding Lifejacket Compact Mini,
SOLAS/MED**

**LALIZAS most compact
& lightweight foam lifejacket**



SOLAS/MED approved
retro-reflective tape

Adjustable strap (40 mm)

Lifting loop

Webbing loop for easy
adjustment of LALIZAS
lifejacket LED flashing lights

Whistle secured with cord

Buddy line

Crotch strap (25 mm)



**Ideal for storage in or
under seats on board
vessels with limited
storage space**

- Available in two different colours, orange for passengers (adult and child sizes) and yellow for crew (adult size) allowing passengers to easily identify them in case of emergency



**In yellow colour
for vessel's crew**

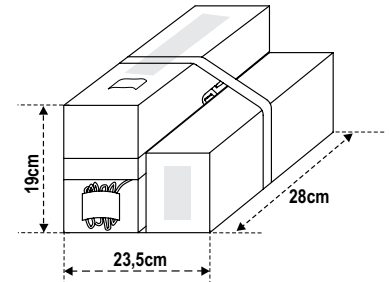
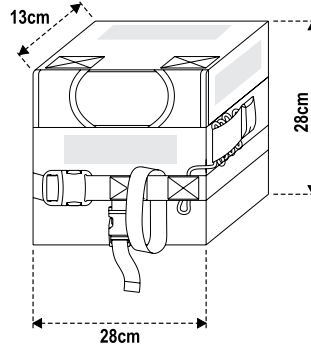
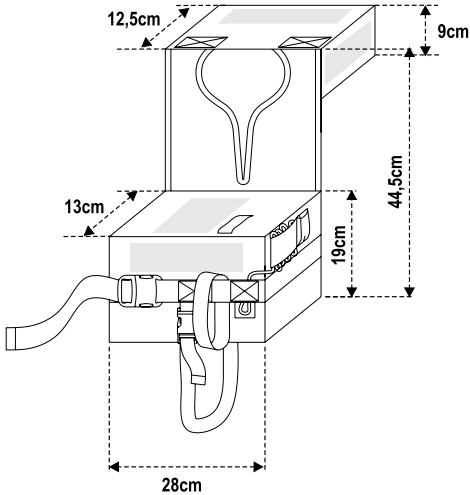
Code	722142	722143	722152
Type	Adult		Child
Colour	Orange	Yellow	Orange
Weight (kg)	43 - 140		15 - 43

Adult size can be worn by persons with a chest girth up to 175 cm

LALIZAS Foam Folding Lifejacket Compact Mini, SOLAS/MED

Multiple Folding Options

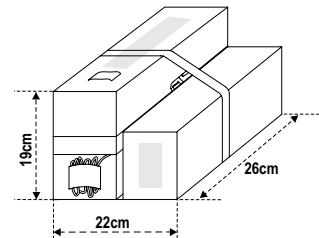
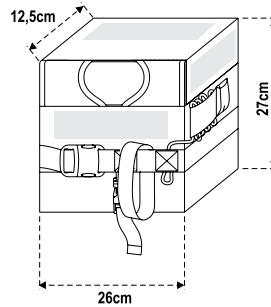
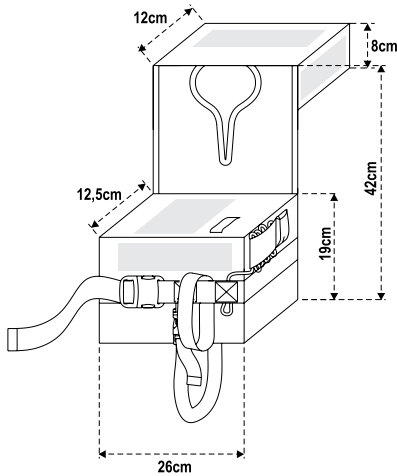
Adult: 722142 - 722143



1

2

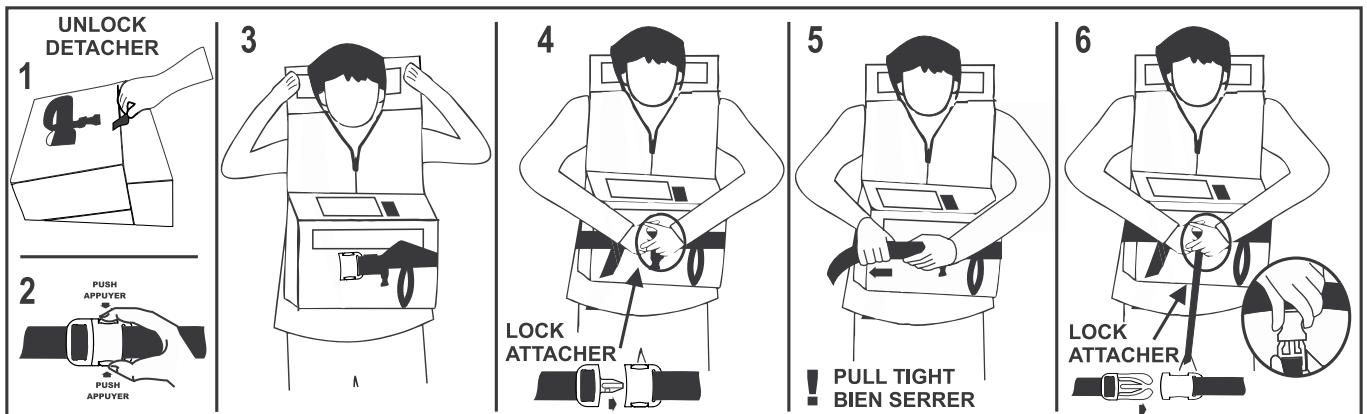
Child: 722152



1

2

How to wear



Global Service & Supply Network



- ✓ Global **service network** through owned locations & third-party service providers
- ✓ Global **supply** of **LSA**, **FFE** and **spare parts**
- ✓ Certified quality standards by **major classification societies**
- ✓ **Robust warranty** supported directly by the manufacturer
- ✓ Streamlined **after-sales support** via our ticketing system

Safety is not just a product, it is an ongoing process!