



# **LALIZAS**

*LifeSaving*



# LALIZAS

## HISTORY

LALIZAS was founded in Piraeus, Greece,  
in **1982** by Mr. Stavros Lalizas  
as a **small manufacturing plant** of buoyancy aids  
for professional sailing.

Today, LALIZAS remains a **family-owned company**, whose vision is to produce high-quality products that ensure safety at sea, and distribute them to international markets through its well-established network of branches, franchises & distributors.

Our product range includes both ISO & SOLAS lifejackets, foam-filled and inflatable ones, as well as liferafts, MOB devices and navigation lights, immersion suits, safety harnesses, IMO signs and many other safety marine products; these are designed by taking into account the regulations of different flags.

All items are being **manufactured** and **distributed** to maritime companies, ship suppliers, chandleries, marine stores, shipyards and boat builders around the world always taking into consideration the market's needs and feedback, as well as the latest updates on regulations.

The genuine care for our customers and the indispensable input of our employees, who are considered as **#thelalizasforce**, have resulted in the company's growth and will continue to contribute positively to the continuous development of LALIZAS.

Stavros Lalizas  
CEO

# Milestones of the past

1982

Mr. Stavros Lalizas, former National Sailing Champion, founds LALIZAS in his house by responding to the demands of the sailing market and starts selling custom made lifejackets throughout the region of Greece.



*The sewing machine of his mother who made the 1st LALIZAS lifejackets*

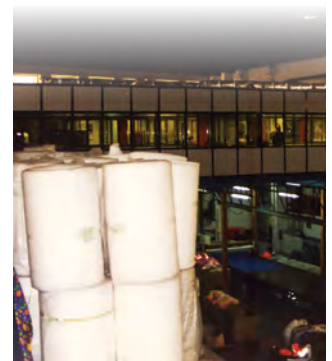
1986

We set our first exporting activities and established a commercial presence to Australia & to the Netherlands, where participated in the International Expo for the first time.



1995

Larger factory premises & commercial expansion to 45 countries.



2000

A sudden fire at LALIZAS HQs destroyed everything. The outcome was a total loss which almost put the company out of business.



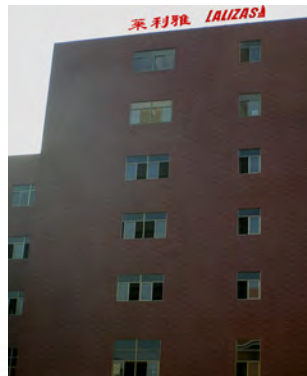
2001

90 days after the fire, we were back in business with new and modern premises.



2008

New logistics hub in China.



2011

New logistics hub in Belgium.



2012

Acquisitions of



Nuova Rade  
Marine - Plastics Technology Experts



2015

New production line in Pernik, Bulgaria.



2018

Acquisitions of



2019

Acquisition of



# **COMMERCIAL**

The commercial shipping industry faces new challenges every day. The vessels must constantly comply with new regulations and standards, the inspection control in the ports is stricter and the fear of the ship being detained is more present than ever before.

LALIZAS offers what ship owners & ship managing companies need:  
a total safety solution that ensures the vessel's compliance.



**CARGO  
VESSELS**



**PASSENGER  
VESSELS**



**OFFSHORE  
PLATFORMS**



**DEFENCE**

# ***YACHTING***

Whether it is sailing or any other kind of watersport, all these activities require preparation and extra caution by following the safety rules, in order to comply with specific regulations which are set to ensure safety on deck.

LALIZAS offers complete safety package solutions that boat owners, yachting and watersport enthusiasts need, aiming to make them feel safe on board.



**MOTOR  
BOATS**



**SAILING  
BOATS**



**MEGA  
YACHTS**

**LALIZAS** 

# LALIZAS Global Network



## 8 LALIZAS Logistics Centers

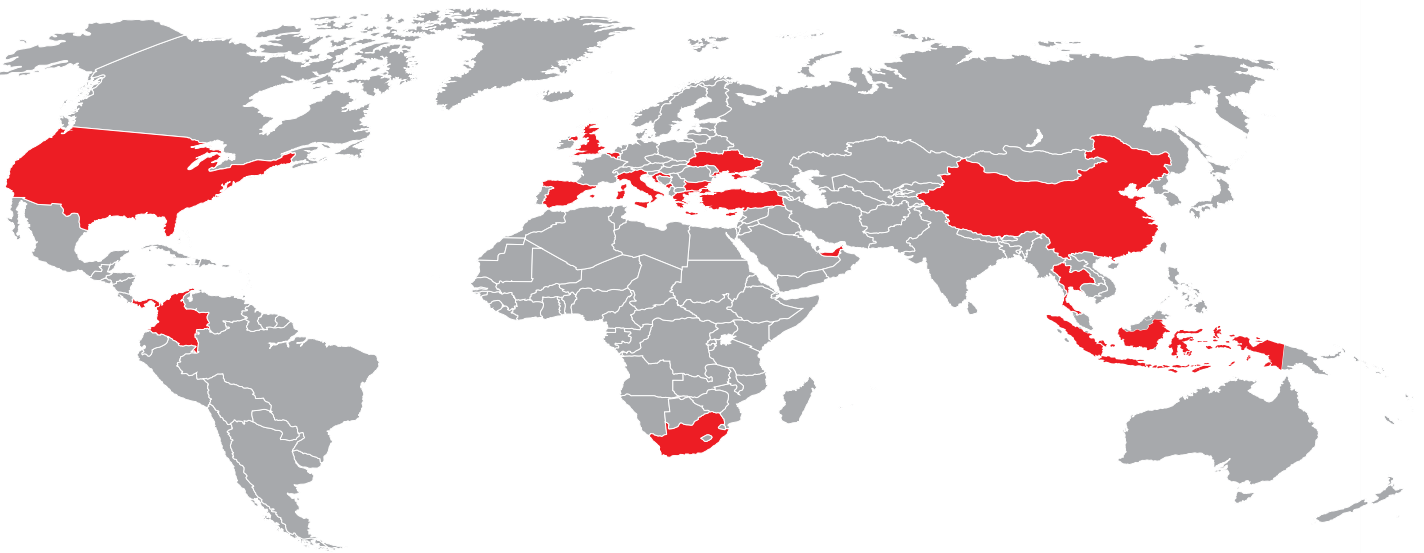
USA, Spain, Belgium, Italy, Greece,  
UAE, China, Croatia

## 10 LALIZAS Branches

Italy, Spain, UK, Croatia, Turkey,  
RSA, UAE, Montenegro, USA,  
China

## 7 LALIZAS Franchises

Panama, Colombia, Bulgaria,  
Ukraine, Republic of Maldives,  
Thailand, Indonesia



More than **100** Account Managers  
& **15.000** B2B customers at **130** countries

More than **10.000** products manufactured  
in our factories

# CONTENTS

## Liferafts

Throw-overboard .....	7
Throw-overboard Self-righting .....	10
Davit-launched.....	11
Davit-launched Self-righting .....	12
Open Reversible.....	13
Yachting.....	14
Liferaft Equipment .....	25

## Inflatable Lifejackets

SOLAS Inflatable Lifejackets .....	30
ISO Inflatable Lifejackets.....	32
Inflatable Lifejacket Accessories.....	39

## Foam Lifejackets

SOLAS Foam Lifejackets .....	44
ISO Foam Lifejackets & Lifebelts .....	46
ISO Watersports Buoyancy Aids.....	50
Pet Buoyancy Aids.....	52

## Lifesaving Lights

Lifejacket Lights.....	54
Lifebuoy Lights .....	55

## MOB Systems

Lifebuoy Rings.....	58
Horseshoe Lifebuoys.....	61
Lifesaving Apparatus .....	63
Rescue Systems.....	64
Safety Ladders .....	66
Safety Harness & Jacklines.....	67
Sea Anchors - Drogues .....	67
Retroreflective Tapes.....	67

## Breathing Apparatus .....

69

## Fire Fighting Equipment

Fireman's Suit.....	71
Fire Fighting Accessories .....	72
Fire Extinguishers.....	73
Fire Hoses & Relevant Equipment .....	74
Fire Blanket .....	74

## Immersion Suits .....

76

## Polar Survival Equipment ...

78

## Marine Distress Signals & Pyrotechnics

Day Signals & Reflectors.....	81
Sound Signals .....	82
Pyrotechnics.....	83

## IMO Signs .....

85

## Personal Protection

Workwear .....	87
----------------	----

## Navigation Lights

LED Navigation Lights.....	90
Standard Navigation Lights .....	100
Bulbs.....	109

***Safety is not just a product, it is an ongoing process!***



# Liferafts



- Throw-overboard
- Throw-overboard Self-righting
- Davit-launched
- Davit-launched Self-righting
- Open Reversible
- Yachting
- Liferaft Equipment



# Throw-overboard

## LALIZAS Liferaft SOLAS OCEANO, Throw-overboard Type



- For use on board commercial vessels engaged on international voyages
- Equipment packs: SOLAS Pack A or SOLAS Pack B
- Available capacities: from 6 to 35 Persons
- Flat pack canister option available (Capacities from 8 to 12 Persons)
- GRP canister
- Durable rubber fabric
- Double chambered tubes
- Stowage height up to 36m (Painter line up to 46m)



- Insulated floor for low temperature conditions
- High visibility canopy with SOLAS reflective tapes
- Fully operational at temperatures from -30°C up to +65°C
- Global Service Stations' network
- Supplied with deck cradle in wooden box (79880-79882 are supplied in wooden box without deck cradle)

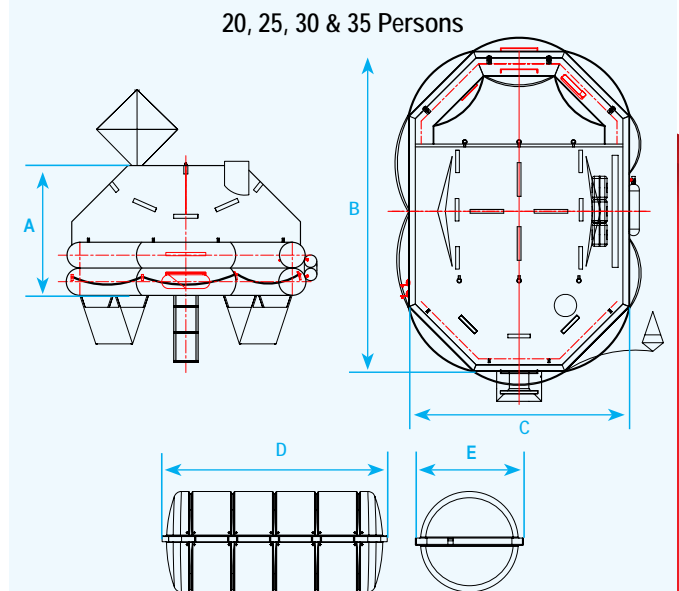
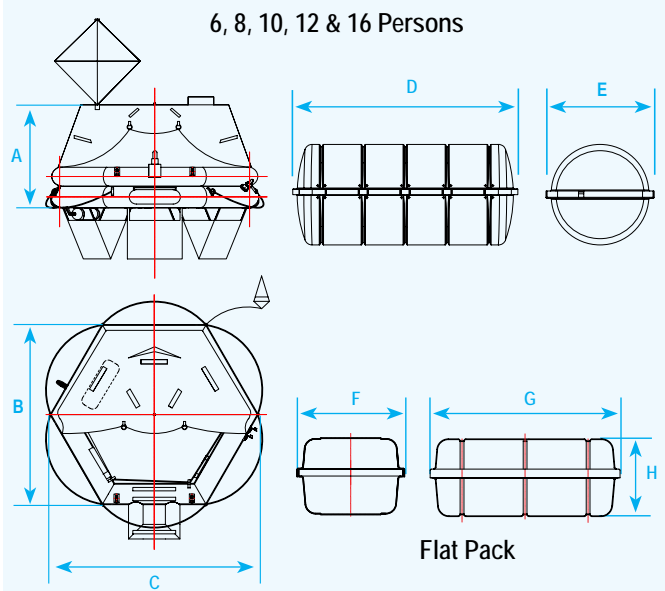


Flat Pack

Code	Persons	Weight (kg)*	Pack	Dimensions (mm)							
				A	B	C	D	E	F	G	H
79867	6	76	A	1200	2104	2104	1090	615	-	-	-
79903		66	B				1045	545	-	-	-
79868	8	85	A	1250	2390	2390	1090	615	-	-	-
79880		85	Flat - A				-	-	564	994	405
79904		73	B				1045	545	-	-	-
79869	10	98	A	1400	2694	2694	1230	630	-	-	-
79905		82	B				1090	615	-	-	-
79870	12	108	A	1500	2924	2924	1230	630	-	-	-
79882		108	Flat - A				-	-	664	1044	405
79906		92	B				1090	615	-	-	-

Code	Persons	Weight (kg)*	Pack	Dimensions (mm)							
				A	B	C	D	E	F	G	H
79872	16	127	A	1600	3330	3330	1285	670	-	-	-
79908		100	B				1230	645	-	-	-
79873	20	149	A	1600	4304	2974	1335	696	-	-	-
79909		120	B				1285	670	-	-	-
79874	25	178	A	1650	4894	3194	1490	757	-	-	-
79910		135	B				1335	696	-	-	-
79875	30	205	A	1700	5384	3414	1700	765	-	-	-
79911		140	B				1490	757	-	-	-
79876	35	223	A	1750	5899	3568	1700	765	-	-	-
79912		148	B				1490	757	-	-	-

\*Total weight of each liferaft including its canister, without the deck cradle & the wooden box.



# Throw-overboard

## LALIZAS Liferaft SOLAS DEEP SEA II, Throw-overboard Type

LALIZAS Liferaft SOLAS DEEP SEA II, Throw-overboard complies with MED 2014/90/EU – Chapter III SOLAS 1974 and subsequent amendments. Available in Pack A and Pack B equipment from 6 to 25 person versions. Can be packed either in a roll or in a flat pack canister. The compact version is the most compact SOLAS liferaft, designed specifically for the mega yacht market in order to save valuable stowage space.

A compact container is available in both cylindrical and rectangular shape with Pack A and Pack B equipment from 6 to 12 person versions. The number of stabilizing pockets guarantees safety and comfort even in a stormy sea. A fiberglass container is included either in a roll or in a flat pack canister version. LALIZAS Liferaft SOLAS DEEP SEA II, Throw-overboard is designed to inflate in an environment temperature of -30°C to +65°C while its inspection interval is every year.

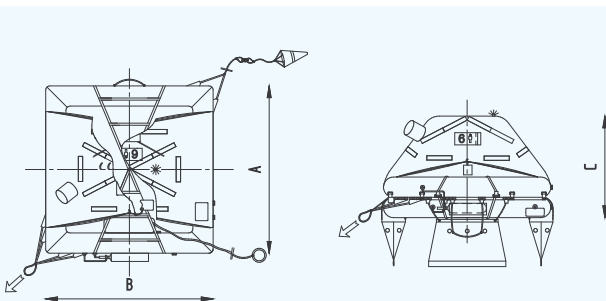


### PACK A Equipment

- |                                   |  |                                       |
|-----------------------------------|--|---------------------------------------|
| 1. Sea anchor with rope (1 piece) | 11. Seasickness bag (1 per person)           | 21. Fishing kit (1 piece)             |
| 2. Life ring with rope (1 piece)  | 12. Torch kit (1 piece)                      | 22. Radar reflector (1 piece)         |
| 3. Floating paddles (2 pieces)    | 13. Red hand flares (6 pieces)               | 23. Radar reflector support (1 piece) |
| 4. Immediate action (1 piece)     | 14. Red parachute flares (4 pieces)          | 24. Sea anchor (1 piece)              |
| 5. Floating knife (1 piece)       | 15. Floating smoke signal (2 pieces)         | 25. Signalling table (1 piece)        |
| 6. Bailer (1 piece)               | 16. Signalling mirror (1 piece)              | 26. Drinking water vessel (1 piece)   |
| 7. Sponge (2 pieces)              | 17. Drinking water (1,5 L per person)        | 27. Can opener (1 piece)              |
| 8. Whistle (1 piece)              | 18. Food per person (10.000 Kcal per person) | 28. Water -collect (1 piece)          |
| 9. Repair kit (1 piece)           | 19. Anti-seasickness pills (6 per person)    | 29. First aid kit (1 piece)           |
| 10. Manual pump (1 piece)         | 20. Thermal protective aids (2 pieces)       | 30. Internal user manual              |

### PACK B Equipment

- |                                   |                                     |   |
|-----------------------------------|-------------------------------------|---|
| 1. Sea anchor with rope (1 piece) | 9. Manual pump (1 piece)            | 17. Anti-seasickness pills (6 per person) |
| 2. Life ring with rope (1 piece)  | 10. Seasickness bag (1 per person)  | 18. First aid kit (1 piece)               |
| 3. Floating paddles (2 pieces)    | 11. Torch kit (1 piece)             | 19. Thermal protective aids (2 pieces)    |
| 4. Immediate action (1 piece)     | 12. Red hand flares (3 pieces)      | 20. Radar reflector (1 piece)             |
| 5. Floating knife (1 piece)       | 13. Red parachute flares (2 pieces) | 21. Radar reflector support (1 piece)     |
| 6. Bailer (1 piece)               | 14. Floating smoke signal (1 piece) | 22. Sea anchor (1 piece)                  |
| 7. Sponge (2 pieces)              | 15. Repair kit (1 piece)            |   |
| 8. Whistle (1 piece)              | 16. Signalling mirror (1 piece)     |   |



Model	Dimensions (mm)		
	A	B	C
LALIZAS SOLAS DEEP SEA 6	1990	1990	1210
LALIZAS SOLAS DEEP SEA 8	2270	2270	1300
LALIZAS SOLAS DEEP SEA 10	2550	2550	1410
LALIZAS SOLAS DEEP SEA 12	2690	2690	1490
LALIZAS SOLAS DEEP SEA 16	3380	3380	1620
LALIZAS SOLAS DEEP SEA 20	3380	3380	1620
LALIZAS SOLAS DEEP SEA 25	3380	3380	1620

# Throw-overboard

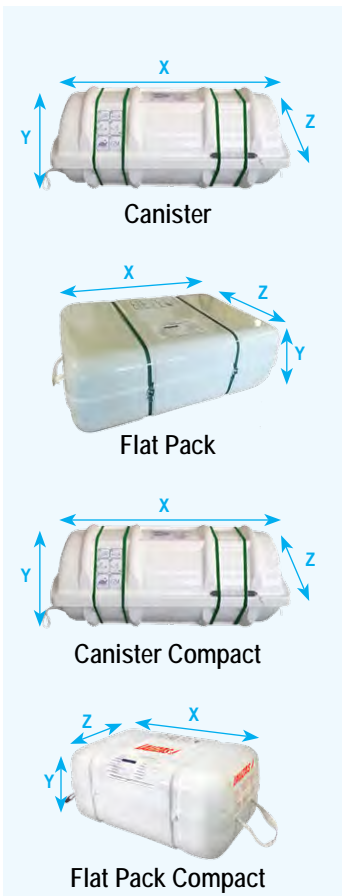
## PACK A



Code	501595	501596	501597	501598	501599	501600	501601
Persons	6	8	10	12	16	20	25
Container	Canister						
Canister Material	GRP						
Total Weight (kg)	84	98	106	118	153	169	178
X - Length (mm)	1180	1180	1320	1320	1460	1590	1590
Z - Width (mm)	640	640	640	640	710	730	730
Y - Height (mm)	590	590	590	590	610	640	640
Maximum Storage Height (m)	25	25	25	25	25	25	25
Code	501625	501626	501627				
Persons	6	8	10				
Container	Flat Pack						
Canister Material	GRP						
Total Weight (kg)	84	96	105				
X - Length (mm)	850	860	860				
Z - Width (mm)	610	620	620				
Y - Height (mm)	350	450	450				
Maximum Storage Height (m)	18	18	18				
Code	501617	501618	501619	501620			
Persons	6	8	10	12			
Container	Canister Compact						
Canister Material	GRP						
Total Weight (kg)	73	81	91	107			
X - Length (mm)	1180	1180	1180	1180			
Z - Width (mm)	560	560	560	560			
Y - Height (mm)	530	530	530	530			
Maximum Storage Height (m)	18	18	18	18			
Code	501609	501610	501611	501612			
Persons	6	8	10	12			
Container	Flat Pack Compact						
Canister Material	ABS			GRP			
Total Weight (kg)	64	77	90	108			
X - Length (mm)	740	860	860	1050			
Z - Width (mm)	480	620	620	570			
Y - Height (mm)	390	350	350	350			
Maximum Storage Height (m)	18	18	18	18			



## PACK B



Code	501602	501603	501604	501605	501606	501607	501608
Persons	6	8	10	12	16	20	25
Container	Canister						
Canister Material	GRP						
Total Weight (kg)	71	76	81	92	109	118	125
X - Length (mm)	1180	1180	1180	1320	1320	1460	1460
Z - Width (mm)	640	640	640	640	640	710	730
Y - Height (mm)	590	590	590	590	590	610	640
Maximum Storage Height (m)	25	25	25	25	25	25	25
Code	501628	501629	501630				
Persons	6	8	10				
Container	Flat Pack						
Canister Material	GRP						
Total Weight (kg)	64	73	79				
X - Length (mm)	730	850	850				
Z - Width (mm)	480	610	610				
Y - Height (mm)	340	350	350				
Maximum Storage Height (m)	18	18	18				
Code	501621	501622	501623	501624			
Persons	6	8	10	12			
Container	Canister Compact						
Canister Material	ABS			GRP			
Total Weight (kg)	58	70	67	77			
X - Length (mm)	850	1180	1180	1180			
Z - Width (mm)	610	560	560	560			
Y - Height (mm)	530	530	530	530			
Maximum Storage Height (m)	18	18	18	18			
Code	501613	501614	501615	501616			
Persons	6	8	10	12			
Container	Flat Pack Compact						
Canister Material	ABS			GRP			
Total Weight (kg)	52	59	64	79			
X - Length (mm)	740	860	860	1050			
Z - Width (mm)	480	620	620	570			
Y - Height (mm)	390	350	350	350			
Maximum Storage Height (m)	18	18	18	18			



# Throw-overboard Self-righting

## LALIZAS Liferaft SOLAS OCEANO, Throw-overboard Self-righting Type



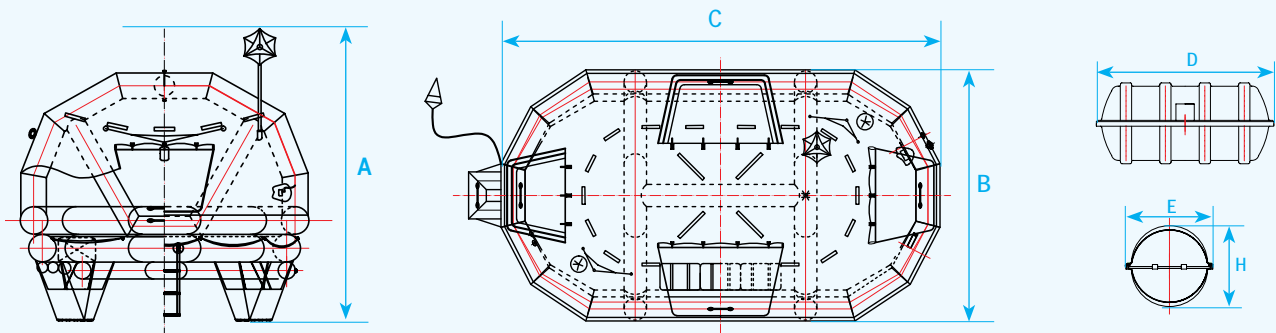
- For use on all types of passenger vessels
- Equipment packs: SOLAS Pack A or SOLAS Pack B
- Available capacities: from 25 to 100 persons
- GRP canister
- Durable rubber fabric
- Double chambered tubes
- Stowage height up to 36m (Painter Line up to 46m)
- Insulated floor for low temperature conditions
- High visibility canopy with SOLAS Retroreflective Tapes
- Fully operational at temperatures from -30°C up to +65°C
- Global Service Stations' network
- Supplied with deck cradle in wooden box



Code	Persons	Weight (kg)*	Pack	Dimensions (mm)					
				A	B	C	D	E	H
72549	25	235	A	2250	3130	5350	1700	765	680
72552		175	B				1490	757	678
72550	50	395	A	2900	4275	7470	2095	895	877
72553		280	B				1800	810	700
72551	100	830	A	3400	5380	11090	2400	1050	1050
72554		600	B				2095	895	995



\*Total weight of each liferaft including its canister, without the deck cradle & the wooden box.



Liferrafts

Liferrafts can be combined with



LALIZAS Hydrostatic Release Unit for Liferrafts, SOLAS/MED/USCG

For more information see page 25

# Davit-launched

## LALIZAS Liferaft SOLAS OCEANO, Davit-launched Type



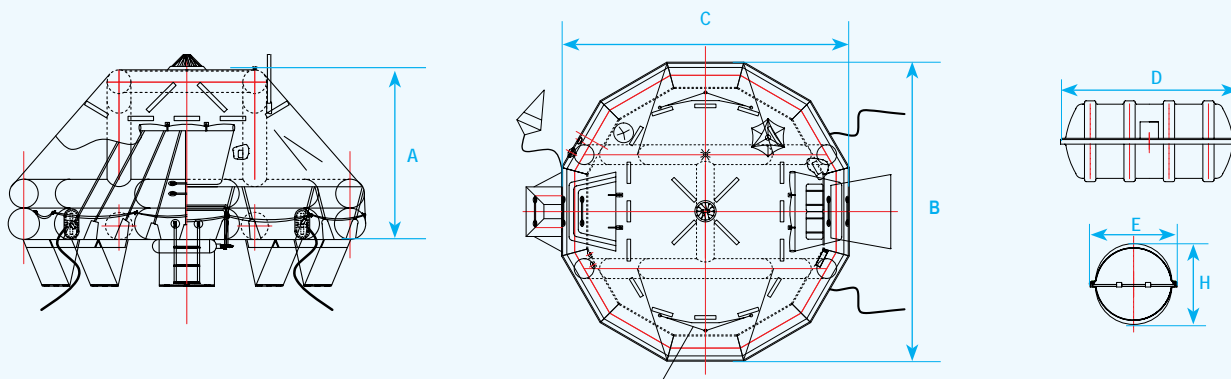
- For use on all kinds of vessels, providing safe evacuation from the vessel's deck
- Equipment packs: SOLAS Pack A or SOLAS Pack B
- Available capacities: from 15 to 25 persons
- GRP canister
- Durable rubber fabric
- Double chambered tubes
- Stowage height up to 36m (Painter line up to 46m)
- Insulated floor for low temperature conditions
- High visibility canopy with SOLAS Retroreflective Tapes
- Fully operational at temperatures from -30°C up to +65°C
- Global Service Stations' network
- Supplied with deck cradle in wooden box



Code	Persons	Weight (kg)*	Pack	Dimensions (mm)					
				A	B	C	D	E	H
73134	16	160	A	1800	3392	3302	1350	700	700
73135		B	1285				670	670	
79885	20	208	A	1850	3815	3715	1470	750	710
79888		B	1350				700	660	
79886	25	240	A	2000	4225	4065	1680	770	710
79889		B	1470				750	710	



\*Total weight of each liferaft including its canister, without the deck cradle & the wooden box.



Liferafts can be combined with



LALIZAS LRL External & Internal Liferaft Light, SOLAS/MED/USCG

For more information see page 26

Liferafts can be combined with



LALIZAS Lashing with Hook for Liferafts >50 persons

For more information see page 25

# Davit-launched Self-righting

## LALIZAS Liferaft SOLAS OCEANO, Davit-launched Self-righting Type

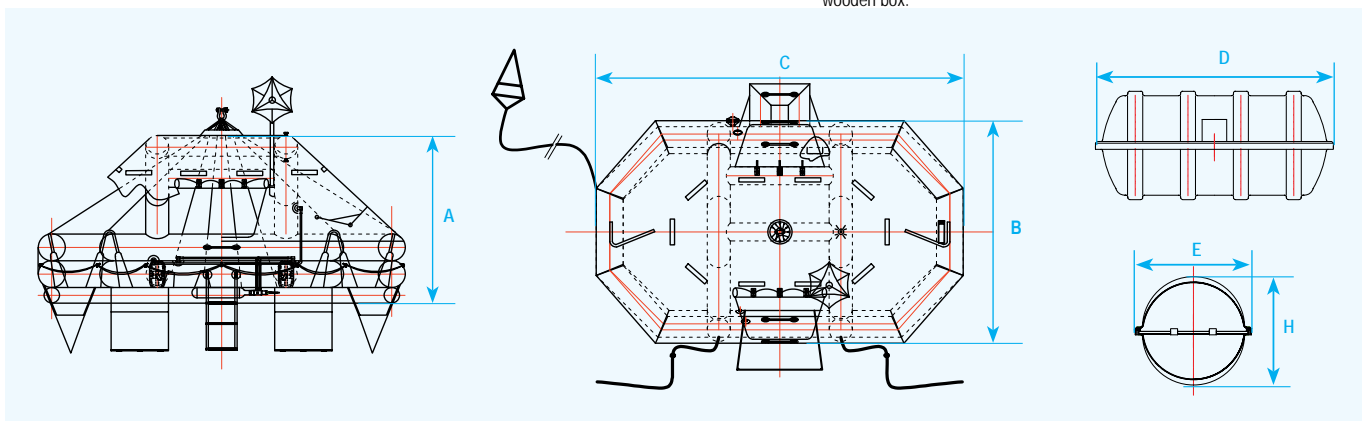


- For use on all types of passenger vessels, providing safe evacuation from the vessel's deck
- Equipment packs: SOLAS Pack A or SOLAS Pack B
- Available capacities: from 16 to 37 persons
- GRP canister
- Durable rubber fabric
- Double chamber tubes
- Stowage height up to 36m (Painter Line up to 46m)
- Insulated floor for low temperature conditions
- High visibility canopy with SOLAS Retroreflective Tapes
- Fully operational at temperatures from -30°C up to +65°C
- Global Service Stations' network
- Supplied with deck cradle in wooden box



Code	Persons	Weight (kg)*	Pack	Dimensions (mm)					
				A	B	C	D	E	H
73138	16	180	A	1950	2950	4270	1470	750	710
73142		150	B				1350	700	660
73139	20	215	A	2200	2860	4700	1680	770	710
73143		170	B				1470	750	710
73140	25	265	A	2380	3240	5255	1660	820	715
73144		205	B				1470	750	710
73141	37	370	A	2600	3780	6280	1875	850	835
73145		272	B				1660	820	715

\*Total weight of each liferaft including its canister, without the deck cradle & the wooden box.



### List of Equipment

List of Equipment	Amount		List of Equipment	Amount	
	SOLAS Pack A	SOLAS Pack B		SOLAS Pack A	SOLAS Pack B
Portable buoyant bailer	(Up to 12 persons) 1 pc (More than 12 persons) 2 pcs	(Up to 12 persons) 1 pc (More than 12 persons) 2 pcs	Survival at sea - Instruction Manual	1	1
Sponge	2	2	Table of the life-saving signals	1	1
Buoyant paddles	2	2	Log Book	1	1
Whistle	1	1	First-aid kit	1	1
Waterproof torch (with separate battery and bulb)	1	1	Orange Smoke Signals	2	1
Signalling mirror	1	1	Food ration, per person	10000kJ	-
Anti-seasickness pills, per person	6	6	Fresh water, per person	1,5L	-
Seasickness bag, per person	1	1	Sea-anchor	2	2
Red hand flares	6	3	Tin opener	3	-
Red parachute flares	4	2	Fishing tackle	1	1
Repair kit	1	1	Radar reflector	1	1
Bellow	1	1	Thermal protective aids	2	2
Operational manual	1	1	Drinking cup	1	-
			Buoyant rescue quoit	1	1
			Safety Knife	(Up to 12 persons) 1 pc (More than 12 persons) 2 pcs	(Up to 12 persons) 1 pc (More than 12 persons) 2 pcs

# Open Reversible

## LALIZAS Liferaft SOLAS OCEANO, Open Reversible Type



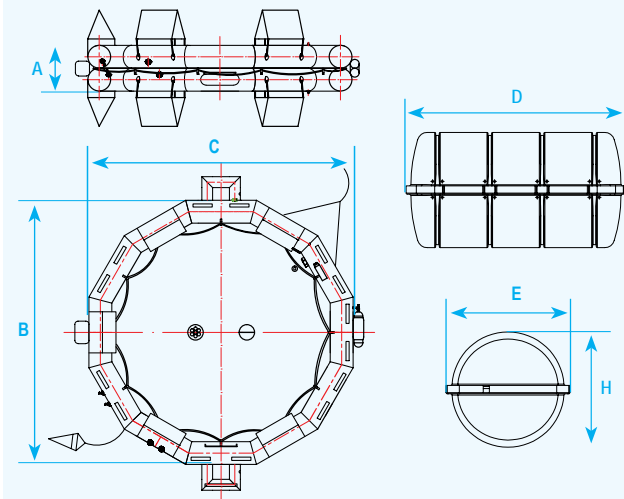
- Ideal for passenger ships operating in coastal or inland waters
- Equipment pack: HSC Pack
- Available capacities: from 25 to 65 Persons
- GRP canister
- Durable rubber fabric
- Double chambered tubes
- Stowage height up to 10m (Painter line up to 20m)
- Fully operational at temperatures from -18°C up to +65°C
- Global Service Stations' network
- Supplied with deck cradle in wooden box

Code	Persons	Weight (kg)*	Pack	Dimensions (mm)					
				A	B	C	D	E	H
79898	25	92	HSC	712	4114	4114	1230	630	550
79899	30	109		746	4474	4474	1285	670	575

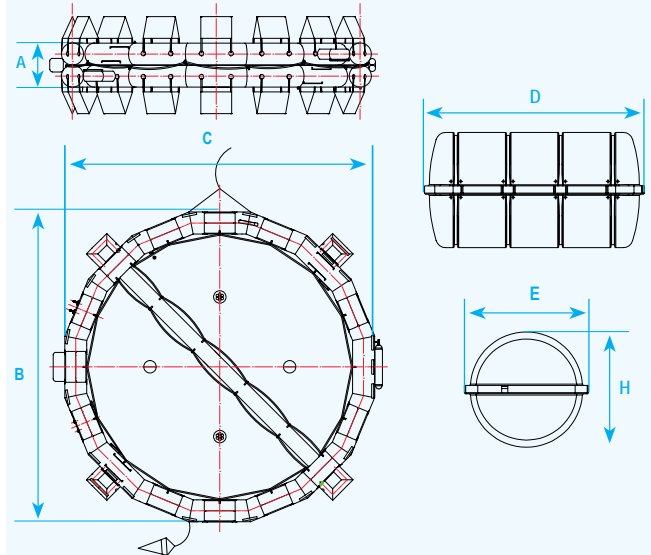
Code	Persons	Weight (kg)*	Pack	Dimensions (mm)					
				A	B	C	D	E	H
79900	50	168	HSC	854	5680	5680	1490	760	675
79901	65	215		914	6434	6434	1490	760	675

\*Total weight of each liferaft including its canister, without the deck cradle & the wooden box.

### 25 & 30 Persons



### 50 & 65 Persons



# Yachting

## LALIZAS ISO ATLANTIC C Liferaft >24h

LALIZAS ISO ATLANTIC C Liferaft >24h is designed for survival for more than 24 hours. Ideal for offshore sailing with complete survival equipment. Certified according to ISO 9650-1 A testing standard. ISO 9650-1 defines liferafts designed for long voyages or cruises when gusts of wind can be expected, together with exceptional wave height (excluding abnormal conditions such as hurricanes). Each liferaft contains thermal floor, internal & external light, pop-up tent and 4 stabilising pockets.

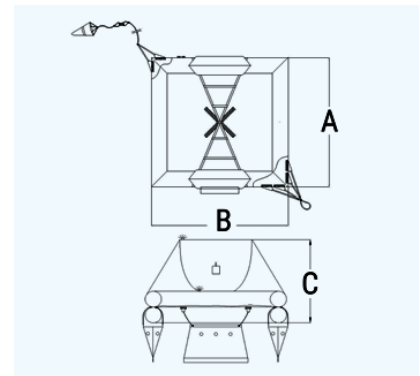
Available in 4 to 12 person versions, packed either in a canister or in a waterproof valise. Designed to inflate in an outdoor temperature of -15°C to +65°C. The inspection interval depends on the flag. Please also be advised by your local LALIZAS Service Station.

With fully transferable 12-year warranty on fabric and seams (starting from the day of manufacture). The warranty is valid if the product has been properly stored & has undergone all its services by a LALIZAS authorised Service Station, in the proper service intervals, required by the flag administration & the manufacturer.



Made in Italy

Model	Dimensions (mm)		
	A	B	C
LALIZAS ISO ATLANTIC C 4	1940	2040	1240
LALIZAS ISO ATLANTIC C 6	1940	2040	1240
LALIZAS ISO ATLANTIC C 8	1940	3110	1240
LALIZAS ISO ATLANTIC C 10	1990	3760	1340
LALIZAS ISO ATLANTIC C 12	1990	3760	1340



### Equipment

- |                                   |                                     |  |
|-----------------------------------|-------------------------------------|--|
| 1. Sea anchor with rope (1 piece) | 9. Whistle (1 piece)                | 17. Signaling mirror (1 piece)               |
| 2. Life ring with rope (1 piece)  | 10. Repair kit (1 piece)            | 18. Drinking water (1,5 L per person)        |
| 3. Floating paddles (2 pieces)    | 11. Manual pump (1 piece)           | 19. Food per person (10.000 Kcal per person) |
| 4. Immediate action (1 piece)     | 12. User internal manual (1 piece)  | 20. Anti-seasickness pills (6 per person)    |
| 5. Floating knife (1 piece)       | 13. Seasickness bag (12 pieces)     | 21. First aid kit (1 piece – ISO)            |
| 6. Canopy support (2 pieces)      | 14. Torch kit (2 pieces)            | 22. Thermal protective aids (2 pieces)       |
| 7. Bailer (1 piece)               | 15. Red hand flares (6 pieces)      |  |
| 8. Sponge (2 pieces)              | 16. Red parachute flares (2 pieces) |  |

Code		501538	501543	501548	501552	501555	501519	501524	501530	501534
Code		501470	501472	501477	501468	501469	501471	501473	501475	501467
Persons		4	6	8	10	12	4	6	8	10
Packaging		Canister					Valise			
Total Weight (kg)		47	51	61	79	82	44	48	57	72
Length (mm)		720	720	730	850	850	680	680	710	770
Width (mm)		460	460	470	600	600	340	340	330	440
Height (mm)		320	320	330	330	330	420	420	450	470

\*Please note that all liferaft dimensions and weight may slightly vary ( $\pm 3$  cm for dimensions,  $\pm 5\%$  for weight)



Canister



Valise



# Yachting

## LALIZAS ISO ATLANTIC PG Liferaft >24H, Grab Bag

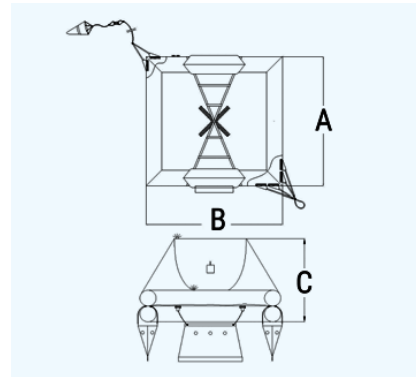
LALIZAS ISO ATLANTIC PG Liferaft >24, GRAB BAG is supplied with an approved grab bag to reduce weight and dimensions, designed for survival more than 24 hours. Certified according to ISO 9650-1 A testing standard. ISO 9650-1 defines liferafts designed for long voyages or cruises when gusts of wind can be expected, together with exceptional wave height (excluding abnormal conditions such as hurricanes).

It is available in 4 to 12 person versions, packed either in a canister or in a waterproof valise. Each liferaft contains thermal floor, internal and external light, pop-up tent and 4 stabilizing pockets. Designed to inflate in an outdoor temperature of -15°C to +65°C. Regarding the inspection interval, please be advised by your local LALIZAS Service Station.

With fully transferable 12-year warranty on fabric and seams (starting from the day of manufacture). The warranty is valid if the product has been properly stored & has undergone all its services by a LALIZAS authorised Service Station, in the proper service intervals, required by the flag administration & the manufacturer.



Model	Dimensions (mm)		
	A	B	C
LALIZAS ISO ATLANTIC PG 4	1940	2040	1240
LALIZAS ISO ATLANTIC PG 6	1940	2040	1240
LALIZAS ISO ATLANTIC PG 8	1940	3110	1240
LALIZAS ISO ATLANTIC PG 10	1990	3760	1340
LALIZAS ISO ATLANTIC PG 12	1990	3760	1340



### Equipment

- |                                   |   |
|-----------------------------------|---|
| 1. Sea anchor with rope (1 piece) | 10. Repair kit (1 piece)                  |
| 2. Life ring with rope (1 piece)  | 11. Manual pump (1 piece)                 |
| 3. Floating paddles (2 pieces)    | 12. User internal manual (1 piece)        |
| 4. Immediate action (1 piece)     | 13. Torch kit (2 pieces)                  |
| 5. Floating knife (1 piece)       | 14. Red hand flares (3 pieces)            |
| 6. Canopy support (2 pieces)      | 15. Red parachute flares (1 piece)        |
| 7. Bailer (1 piece)               | 16. Signaling mirror (1 piece)            |
| 8. Sponge (2 pieces)              | 17. Drinking water (0,5 L per person)     |
| 9. Whistle (1 piece)              | 18. Anti-seasickness pills (6 per person) |



### Grab bag Equipment

- Seasickness bag (8 pieces)
- Red hand flares (3 pieces)
- Red parachute flares (1 piece)
- Drinking water (1 L per person)
- Food (10.000 Kcal per person)
- First aid kit (1 piece)
- Thermal protective aids (2 pieces)

Code			501541	501546	501551	501556	501559	501522	501528	501533	501536
Persons			4	6	8	10	12	4	6	8	10
Packaging			Canister				Valise				
Total Weight (kg)			37	38	45	60	61	34	35	42	53
Length (mm)			660	660	720	850	850	640	640	650	760
Width (mm)			420	420	460	600	600	270	270	320	360
Height (mm)			280	280	320	290	290	400	400	390	450

\*Please note that all liferaft dimensions and weight may slightly vary ( ±3 cm for dimensions, ±5% for weight)



Canister



Valise

# Yachting

## LALIZAS ISO ATLANTIC P Liferaft <24

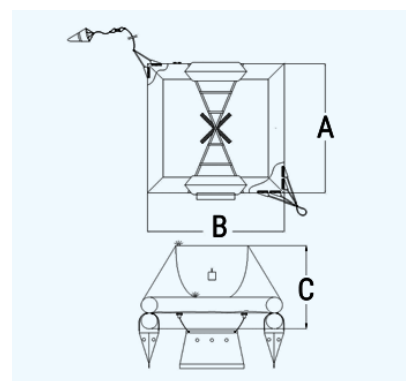
LALIZAS ISO ATLANTIC P Liferaft FR <24h is ideal for offshore sailing characterised by a complete "PLUS" survival kit. Certified according to ISO 9650-1 A testing standard. ISO 9650-1 defines life rafts designed for long voyages or cruises when gusts of wind can be expected, together with exceptional wave height (excluding abnormal conditions such as hurricanes).

It is available in 4 to 12 person versions, packed either in a canister or in a waterproof valise. Each liferaft contains thermal floor, internal and external light, pop-up tent and 4 stabilizing pockets. Designed to inflate in an outdoor temperature of -15°C to +65°C. Regarding the inspection interval, please be advised by your local LALIZAS Service Station.

With fully transferable 12-year warranty on fabric and seams (starting from the day of manufacture). The warranty is valid if the product has been properly stored & has undergone all its services by a LALIZAS authorised Service Station, in the proper service intervals, required by the flag administration & the manufacturer.



Model	Dimensions (mm)		
	A	B	C
LALIZAS ISO ATLANTIC P 4	1940	2040	1240
LALIZAS ISO ATLANTIC P 6	1940	2040	1240
LALIZAS ISO ATLANTIC P 8	1940	3110	1240
LALIZAS ISO ATLANTIC P 10	1990	3760	1340
LALIZAS ISO ATLANTIC P 12	1990	3760	1340



### Equipment

- |                                   |                                    |   |
|-----------------------------------|------------------------------------|---|
| 1. Sea anchor with rope (1 piece) | 8. Sponge (2 pieces)               | 15. Red hand flares (3 pieces)            |
| 2. Life ring with rope (1 piece)  | 9. Whistle (1 piece)               | 16. Red parachute flares (2 pieces)       |
| 3. Floating paddles (2 pieces)    | 10. Repair kit (1 piece)           | 17. Signaling mirror (1 piece)            |
| 4. Immediate action (1 piece)     | 11. Manual pump (1 piece)          | 18. Drinking water (0,5 L per person)     |
| 5. Floating knife (1 piece)       | 12. User internal manual (1 piece) | 19. Anti-seasickness pills (6 per person) |
| 6. Canopy support (2 pieces)      | 13. Seasickness bag (12 pieces)    |   |
| 7. Bailer (1 piece)               | 14. Torch kit (2 pieces)           |   |

Code			501540	501545	501550	501553	501557	501521	501527	501532	501535
Persons			4	6	8	10	12	4	6	8	10
Packaging			Canister				Valise				
Total Weight (kg)			37	38	45	60	61	34	35	42	53
Length (mm)			660	660	720	850	850	640	640	650	760
Width (mm)			420	420	460	600	600	270	270	320	360
Height (mm)			280	280	320	290	290	400	400	390	450

\*Please note that all liferaft dimensions and weight may slightly vary (±3 cm for dimensions, ±5% for weight)



Canister



Valise

# Yachting

## LALIZAS ISO ATLANTIC L Liferaft <24h

LALIZAS ISO ATLANTIC L Liferaft <24h is ideal for offshore sailing with limited survival equipment. Certified according to ISO 9650-1 A testing standard. ISO 9650-1 defines liferafts designed for long voyages or cruises when gusts of wind can be expected, together with exceptional wave height (excluding abnormal conditions such as hurricanes). Each liferaft contains thermal floor, internal & external light, pop-up tent and 4 stabilising pockets.

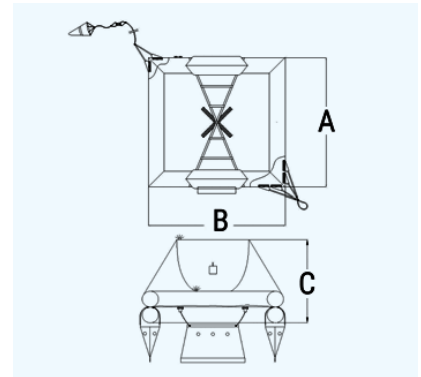
Available in 4 to 12 person versions, packed either in a canister or in a waterproof valise. Designed to inflate in an outdoor temperature of -15°C to +65°C. The inspection interval depends on the flag. Please also be advised by your local LALIZAS Service Station.

With fully transferable 12-year warranty on fabric and seams (starting from the day of manufacture). The warranty is valid if the product has been properly stored & has undergone all its services by a LALIZAS authorised Service Station, in the proper service intervals, required by the flag administration & the manufacturer.



Made in Italy

Model	Dimensions (mm)		
	A	B	C
LALIZAS ISO ATLANTIC L 4	1940	2040	1240
LALIZAS ISO ATLANTIC L 6	1940	2040	1240
LALIZAS ISO ATLANTIC L 8	1940	3110	1240
LALIZAS ISO ATLANTIC L 10	1990	3760	1340
LALIZAS ISO ATLANTIC L 12	1990	3760	1340



### Equipment

- |                                   |                                    |   |
|-----------------------------------|------------------------------------|---|
| 1. Sea anchor with rope (1 piece) | 8. Sponge (2 pieces)               | 15. Red hand flares (3 pieces)            |
| 2. Life ring with rope (1 piece)  | 9. Whistle (1 piece)               | 16. Red parachute flares (2 pieces)       |
| 3. Floating paddles (2 pieces)    | 10. Repair kit (1 piece)           | 17. Signaling mirror (1 piece)            |
| 4. Immediate action (1 piece)     | 11. Manual pump (1 piece)          | 18. Anti-seasickness pills (6 per person) |
| 5. Floating knife (1 piece)       | 12. User internal manual (1 piece) |   |
| 6. Canopy support (2 pieces)      | 13. Seasickness bag (12 pieces)    |   |
| 7. Bailer (1 piece)               | 14. Torch kit (1 piece)            |   |

Code		501539	501544	501549	501554	501558	501520	501526	501531	501560
Code		501481	501483	501484	501479	501480	501482	501478	501474	501476
Persons		4	6	8	10	12	4	6	8	10
Packaging		Canister					Valise			
Total Weight (kg)		35	35	41	55	55	32	32	38	48
Length (mm)		660	660	720	850	850	640	640	650	760
Width (mm)		420	420	460	600	600	270	270	320	360
Height (mm)		280	280	320	290	290	400	400	390	450

\*Please note that all liferaft dimensions and weight may slightly vary (±3 cm for dimensions, ±5% for weight)



Canister



Valise

# Yachting

## LALIZAS ISO-RAFT International Liferaft

LALIZAS ISO-RAFT can be used on recreational boats and is certified according to ISO 9650-1 testing standard for Safety and offers highly visible, stable and sheltered conditions for the occupants. This testing standard has been adopted by the most European Countries. This liferaft is available in 4 to 12 person versions, fitted with a single floor as standard and designed to be extremely safe. The ISO-RAFT combines compact size and structural integrity with proven liferaft design. It is automatically inflated by a 12-meter painter line and its inflation system provides enough gas to inflate all the buoyancy chambers. The main body of the life raft consists of two buoyant chambers inflated through a non return valve ensuring the flotation of the liferaft.

Each chamber is capable of fully supporting the raft with its maximum number of occupants. It can be packed either in a canister or in a waterproof valise. It is initially certified by Polish Register of Shipping-1463 and furthermore approved by the Maritime Authority of the Country of Destination in case it is needed.

With fully transferable 12-year warranty on fabric and seams (starting from the day of manufacture). The warranty is valid if the product has been properly stored & has undergone all its services by a LALIZAS authorised Service Station, in the proper service intervals, required by the flag administration & the manufacturer.



**LALIZAS**  
**ISO-RAFT**

### Features & Specifications

1. Thermally insulated floor
2. International orange, self erecting canopy with retro-reflective tapes
3. Twin independent buoyancy tubes containing safety valves
4. Rain water collection gutter
5. Ventilation and observation port
6. Fully closeable entrance flap with zip tape. The 10 to 12 person versions also include an additional entrance.
7. External, internal lifelines and righting device suitable for handling even by one person
8. Comprehensive international service centers
9. Operating temperature -15° C to + 65° C
10. Stowage max height: 6m above sea level



Canister

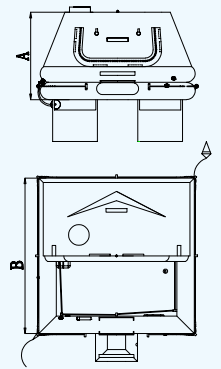


Valise

### Standard Equipment

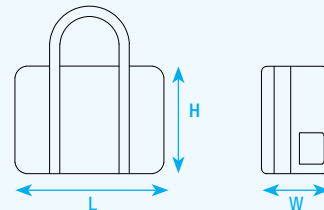
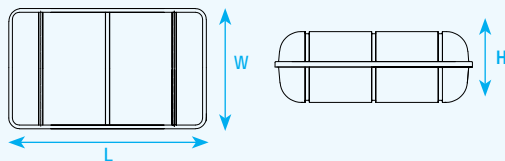
- |  |  |
|--|--|
| 1. Portable buoyant bailer (1pc)   | 11. Repair kit (1pc)   |
| 2. Sponge (2pcs)   | 12. Bellow (1pc)   |
| 3. Pair of buoyant paddles (1pc)   | 13. Operational Manual (1pc)   |
| 4. Whistle (1pc)   | 14. Table of the life-saving signals (1pc)   |
| 5. Waterproof torch /bulb (2pcs)   | 15. Log Book + Immediate actions Card (1pc)  |
| 6. Signalling mirror (1pc)   | 16. Mooring Ring with 30m rope (1pc)   |
| 7. Anti-seasickness pills/per person (6pcs)  | 17. Safety knife connected to the liferaft, buoyant, fixed blade, rounded tips (1pc) |
| 8. Seasickness bag/per person (1pc)  | 18. Floating anchor with 30m rope (1pc)  |
| 9. Red hand flare (in accordance with SOLAS LSA Code Chapter III, 3.2) (3pcs)        |  |
| 10. Red parachute flares (in accordance with SOLAS LSA Code Chapter III, 3.1) (2pcs) |  |

Model	Dimensions (mm)	
	A	B
ISO-RAFT 4	1170	1634
ISO-RAFT 6	1200	1956
ISO-RAFT 8	1250	2224
ISO-RAFT 10	1300	2458
ISO-RAFT 12	1350	2667



Code	78800	78810	78820	78830	78840
Persons	4	6	8	10	12
Packaging	Canister				
Total Weight (kg)	36	44	50	57	62
L (mm)	760	760	770	820	920
W (mm)	480	480	550	570	570
H (mm)	330	330	345	355	340

Code	78850	78860	78870	78880
Persons	4	6	8	10
Packaging	Valise			
Total Weight (kg)	32	37	39	49
L (mm)	680	710	710	800
W (mm)	250	280	280	300
H (mm)	400	420	420	470



\*Please note that all liferaft dimensions and weight may slightly vary ( ±3 cm for dimensions, ±5% for weight)

# Yachting

## LALIZAS ISO RACING Liferaft, <24h

LALIZAS ISO RACING high-quality standard liferaft is ultra-light, having a compact size which provides easy storage. Due to the lightweight material, it is ideal for racing sailboats that need to save space and weight. Its manufacturing technology and materials are inspired by the aviation industry to ensure maximum performance. Available in sizes for 4 - 12 persons, packed either in a canister or in a waterproof valise.

It is automatically inflated by a 12-metre painter line and its inflation system provides enough gas to inflate all the buoyancy chambers. Each chamber is capable of fully supporting the raft with its maximum number of occupants. LALIZAS ISO RACING is manufactured and certified according to ISO 9650-1 standards for Safety and offers highly visible, stable and sheltered conditions for the occupants.

With fully transferable 12-year warranty on fabric and seams (starting from the day of manufacture). The warranty is valid if the product has been properly stored & has undergone all its services by a LALIZAS authorised Service Station, in the proper service intervals, required by the flag administration & the manufacturer.



Approved by BV & MMF

### Features & Specifications

1. Thermally insulated floor
2. International orange, self erecting canopy with retro-reflective tapes
3. Twin independent buoyancy tubes containing safety valves
4. Rain water collection gutter
5. Ventilation and observation port
6. Fully closeable entrance flap, (the 10 to 12 person versions also include an additional entrance)
7. External, internal lifelines and righting device suitable for handling even by one person
8. Comprehensive international service centers
9. Operating temperature -15° C to + 65° C
10. Stowage max height: 6m above sea level



Canister



Valise

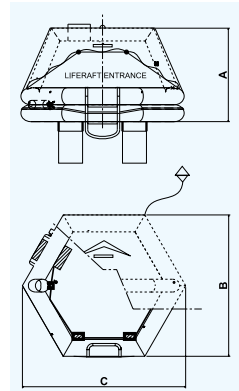
Made in EU

**Ultra Lightweight**

### Standard Equipment

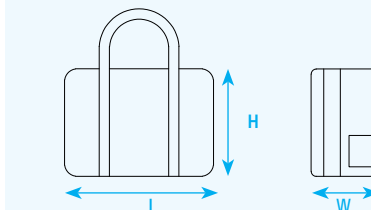
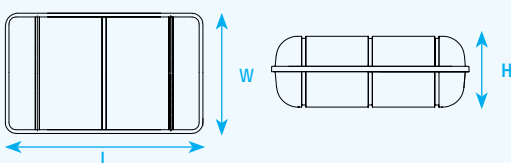
- |  |  |
|--|--|
| 1. Portable buoyant bailer (1pc)   | 11. Repair kit (1pc)   |
| 2. Sponge (2pcs)   | 12. Bellow (1pc)   |
| 3. Pair of buoyant paddles (1pc)   | 13. Operational Manual (1pc)   |
| 4. Whistle (1pc)   | 14. Table of the life-saving signals (1pc)   |
| 5. Waterproof torch /bulb (2pcs)   | 15. Log Book + Immediate actions Card (1pc)  |
| 6. Signalling mirror (1pc)   | 16. Mooring Ring with 30m rope (1pc)   |
| 7. Anti-seasickness pills/per person (6pcs)  | 17. Safety knife connected to the liferaft, buoyant, fixed blade, rounded tips (1pc) |
| 8. Seasickness bag/per person (1pc)  | 18. Floating anchor with 30m rope (1pc)  |
| 9. Red hand flare (in accordance with SOLAS LSA Code Chapter III, 3.2) (3pcs)        |  |
| 10. Red parachute flares (in accordance with SOLAS LSA Code Chapter III, 3.1) (2pcs) |  |

Model	Dimensions (mm)		
	A	B	C
ISO RACING 4	1170	1770	2044
ISO RACING 6	1200	2090	2413
ISO RACING 8	1250	2385	2755
ISO RACING 10	1300	2615	3020
ISO RACING 12	1350	2850	3291



Code	72371	72372	72373	72374	72375
Code	723711	723721	723731	723741	723751
Persons	4	6	8	10	12
Packaging	Canister				
Total Weight (kg)	29	32	36	42	45
L (mm)	680	695	695	841	841
W (mm)	480	495	495	551	551
H (mm)	240	252	252	302	302

Code	72376	72377	72378	72379
Code	723761	723771	723781	723791
Persons	4	6	8	10
Packaging	Valise			
Total Weight (kg)	27	30	34	38
L (mm)	630	630	680	740
W (mm)	250	250	300	340
H (mm)	420	420	430	470



\*Please note that all liferaft dimensions and weight may slightly vary ( ±3 cm for dimensions, ±5% for weight)



Liferafts

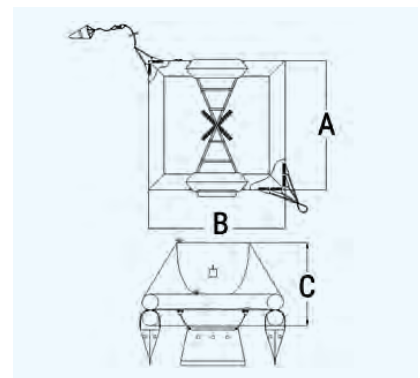
# Yachting

## LALIZAS SEAWORLD Liferaft PB GR

LALIZAS SEAWORLD Liferaft PB GR is extremely light and compact, ideal for yachts and small ships. It is manufactured according to the standards in Greece and it is equipped with a First Aid Kit approved by the Greek Ministry. It is available in 4 to 12 person versions, packed either in a canister or in a waterproof valise. Designed to inflate in an outdoor temperature of 0°C to +65°C. Regarding the inspection interval, please be advised by your local LALIZAS Service Station.




Model	Dimensions (mm)		
	A	B	C
LALIZAS SEAWORLD PB 4	1940	2040	1240
LALIZAS SEAWORLD PB 6	1940	2040	1240
LALIZAS SEAWORLD PB 8	1940	3110	1240
LALIZAS SEAWORLD PB 10	1990	3760	1340
LALIZAS SEAWORLD PB 12	1990	3760	1340



### Equipment

1. Sea anchor with rope (1 piece)
2. Life ring with rope (1 piece)
3. Floating paddles (2 pieces)
4. Immediate action (1 piece)
5. Knife (1 piece)
6. Canopy support (2 pieces)
7. Bailer (1 piece)
8. Sponge (2 pieces)
9. Whistle (1 piece)
10. Repair kit (1 piece)
11. Manual pump (1 piece)
12. User internal manual (1 piece)
13. Seasickness bag (12 pieces)
14. Torch kit (1 piece)
15. Red hand flares (4 pieces)
16. Red parachute flares (2 pieces)
17. Drinking water (0.3 L per person)
18. First aid kit (1 piece)
19. Signaling table (1 piece)

Code		501491	501493	501495	501497	501499	501501	501502	501504	501506	501508
Persons		4	6	8	10	12	4	6	8	10	12
Packaging		Canister					Valise				
Total Weight (kg)		34	35	39	50	51,5	25	25,5	29	48	49
Length (mm)		680	680	720	730	730	660	660	660	720	720
Width (mm)		420	420	460	470	470	280	280	330	360	360
Height (mm)		280	280	320	330	330	350	350	400	400	400

\*Please note that all liferaft dimensions and weight may slightly vary (±3 cm for dimensions, ±5% for weight)



Canister



Valise

# Yachting

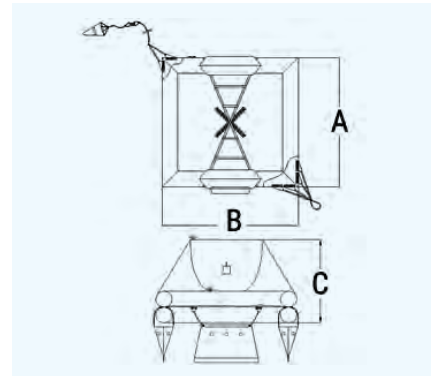
## LALIZAS SEAWORLD Liferaft PB

LALIZAS SEAWORLD Liferaft PB is ideal for coastal navigation in countries where there is no specific legislation. It is available in 4 to 12 person versions, packed either in a canister or in a waterproof valise. It comes with equipment of complete version. Designed to inflate in an outdoor temperature of 0°C to +65°C. Regarding the inspection interval, please be advised by your local LALIZAS Service Station.



Made in Italy

Model	Dimensions (mm)		
	A	B	C
LALIZAS SEAWORLD PB 4	1940	2040	1240
LALIZAS SEAWORLD PB 6	1940	2040	1240
LALIZAS SEAWORLD PB 8	1940	3110	1240
LALIZAS SEAWORLD PB 10	1990	3760	1340
LALIZAS SEAWORLD PB 12	1990	3760	1340



### Equipment

- |                                   |                                    |   |
|-----------------------------------|------------------------------------|---|
| 1. Sea anchor with rope (1 piece) | 7. Bailer (1 piece)                | 13. Seasickness bag (12 pieces)           |
| 2. Life ring with rope (1 piece)  | 8. Sponge (2 pieces)               | 14. Torch kit (1 piece)                   |
| 3. Floating paddles (2 pieces)    | 9. Whistle (1 piece)               | 15. Red hand flares (3 pieces)            |
| 4. Immediate action (1 piece)     | 10. Repair kit (1 piece)           | 16. Drinking water (0,5 L per person)     |
| 5. Floating knife (1 piece)       | 11. Manual pump (1 piece)          | 17. Anti-seasickness pills (6 per person) |
| 6. Canopy support (2 pieces)      | 12. User internal manual (1 piece) | 18. First aid kit (1 piece – Leisure)     |

Code	501575	501576	501577	501578	501579	501571	501572	501573	501574
Persons	4	6	8	10	12	4	6	8	10
Packaging	Canister					Valise			
Total Weight (kg)	29	30	35	50	51,5	27	28	32	48
Length (mm)	660	660	660	740	740	660	660	640	690
Width (mm)	420	420	420	470	470	280	280	270	370
Height (mm)	280	280	280	330	330	350	350	400	420

\*Please note that all liferaft dimensions and weight may slightly vary ( $\pm 3$  cm for dimensions,  $\pm 5\%$  for weight)



Canister



Valise

Liferafts can be combined with



LALIZAS LRL External & Internal Liferaft Light, SOLAS/MED/USCG

For more information see page 26

# Yachting

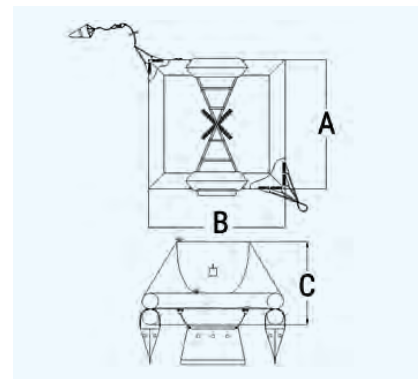
## LALIZAS SEAWORLD Liferaft LB

LALIZAS SEAWORLD Liferaft LB is ideal for coastal navigation in countries where there is no specific legislation. It is available in 4 to 12 person versions, packed either in a canister or in a waterproof valise, and comes with equipment of lightened version. Designed to inflate in an outdoor temperature of 0°C to +65°C. Regarding the inspection interval, please be advised by your local LALIZAS Service Station.



Made in Italy

Model	Dimensions (mm)		
	A	B	C
LALIZAS SEAWORLD LB 4	1940	2040	1240
LALIZAS SEAWORLD LB 6	1940	2040	1240
LALIZAS SEAWORLD LB 8	1940	3110	1240
LALIZAS SEAWORLD LB 10	1990	3760	1340
LALIZAS SEAWORLD LB 12	1990	3760	1340



### Equipment

- |                                   |                           |                                    |
|-----------------------------------|---------------------------|------------------------------------|
| 1. Sea anchor with rope (1 piece) | 6. Bailer (1 piece)       | 11. User internal manual (1 piece) |
| 2. Life ring with rope (1 piece)  | 7. Sponge (2 pieces)      | 12. Seasickness bag (12 pieces)    |
| 3. Floating paddles (2 pieces)    | 8. Whistle (1 piece)      | 13. Torch kit (1 piece)            |
| 4. Immediate action (1 piece)     | 9. Repair kit (1 piece)   |                                    |
| 5. Knife (1 piece)                | 10. Manual pump (1 piece) |                                    |

Code	501566	501567	501568	501569	501570	501561	501562	501563	501564	501565
Persons	4	6	8	10	12	4	6	8	10	12
Packaging	Canister					Valise				
Total Weight (kg)	29	29	30	51,5	51,5	26	26	27	40	40
Length (mm)	660	660	660	750	750	660	660	660	660	660
Width (mm)	420	420	420	480	480	280	280	280	330	330
Height (mm)	280	280	280	330	330	350	350	350	400	400

\*Please note that all liferaft dimensions and weight may slightly vary ( $\pm 3$  cm for dimensions,  $\pm 5\%$  for weight)



Canister



Valise

Liferafts can be combined with



Liferaft Support Base, Inox

For more information see page 27



# Yachting

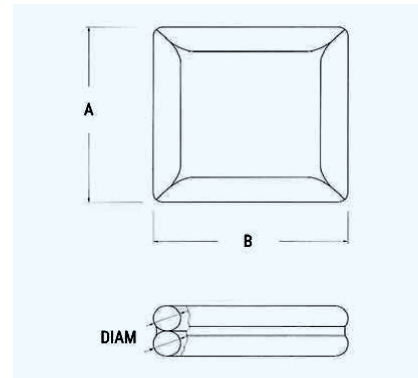
## LALIZAS EUROPE II INSHORE Liferaft

LALIZAS EUROPE II INSHORE Liferaft can be used on recreational boats. Certified according to ISO 9650-2 testing standard. ISO 9650-2 defines liferafts designed for sailing in areas where moderate conditions are expected, such as coastal waters, bays, estuaries, rivers and lakes.

Available in 4 to 8 person versions, packed either in a canister or in a waterproof valise. Designed to inflate in an outdoor temperature of 0°C to +65°C. The inspection interval depends on the flag. Please also be advised by your local LALIZAS Service Station.






Model	Dimensions (mm)		
	A	B	DIAM
LALIZAS EUROPE II INSHORE 4	1440	1440	220
LALIZAS EUROPE II INSHORE 6	1700	1700	240
LALIZAS EUROPE II INSHORE P 8	1940	1940	260



### Equipment

- |                                   |                                    |   |
|-----------------------------------|------------------------------------|---|
| 1. Sea anchor with rope (1 piece) | 7. Bailer (1 piece)                | 13. Seasickness bag (12 pieces)           |
| 2. Life ring with rope (1 piece)  | 8. Sponge (2 pieces)               | 14. Torch kit (1 piece)                   |
| 3. Floating paddles (2 pieces)    | 9. Whistle (1 piece)               | 15. Red hand flares (3 pieces)            |
| 4. Immediate action (1 piece)     | 10. Repair kit (1 piece)           | 16. Red parachute flares (2 pieces)       |
| 5. Floating knife (1 piece)       | 11. Manual pump (1 piece)          | 17. Signaling mirror (1 piece)            |
| 6. Canopy support (2 pieces)      | 12. User internal manual (1 piece) | 18. Anti-seasickness pills (6 per person) |

Code  	501537	501542	501547	501518	501523	501529
Code 	501485	501486	501487	501488	501489	501490
Persons	4	6	8	4	6	8
Packaging	Canister			Valise		
Total Weight (kg)	30	34	36	28	30	33
Length (mm)	660	660	660	700	700	700
Width (mm)	420	420	420	300	300	320
Height (mm)	280	280	280	320	320	350

\*Please note that all liferaft dimensions and weight may slightly vary ( $\pm 3$  cm for dimensions,  $\pm 5\%$  for weight)



Canister



Valise

Liferafts can be combined with



Mooring Ring with 30m Rope Ø4mm

For more information see page 27

# Yachting

## LALIZAS LEISURE-RAFT Liferaft

Ideal for in-shore boating, the LALIZAS high quality standard Leisure-Raft is perfect for those that don't need a full feature liferaft. It is the smallest, lightest and most inexpensive liferaft in the market. The LALIZAS Leisure-Raft with its light weight allows for easy deployment, and the compact size makes storage easy in the smallest spaces.

### LEISURE-RAFT



- TPED approved CO<sub>2</sub> cylinder for easy transport.
- Thermobonding technique that ensures extreme durability and reliability.
- SOLAS Approved water activated compact led light.

#### Standard Equipment

- 20 ft. (6m) Painter line
- Hand pump - Sea anchor (1 piece)
- Raft knife (1 piece)
- Pressure relief valve (1 piece)
- CO<sub>2</sub> Inflation system
- Water-activated locator light
- Ballast bags (2 pieces)
- Case (1 piece)

\*3-year recommended service interval

Made in EU

Code	Persons	Description	Liferaft Dimensions (mm)			Valise Dimensions (mm)			Weight (kg)
			A	B	C	Length	Width	Height	
72201	4	without canopy	225	2004	2443	410	320	140	8,20
72203	6		308	2004	2443	500	340	180	11,50
72200	4	with canopy	1170	2004	2443	410	330	150	9,10
72202	6		1200	2004	2443	500	350	190	12,50

TPED approved CO<sub>2</sub> cylinder for easy transport.

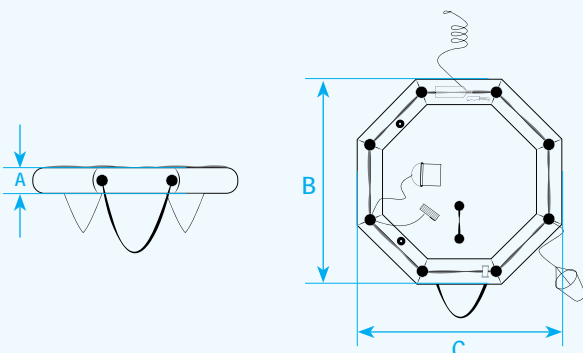


Thermobonding technique that ensures extreme durability and reliability.

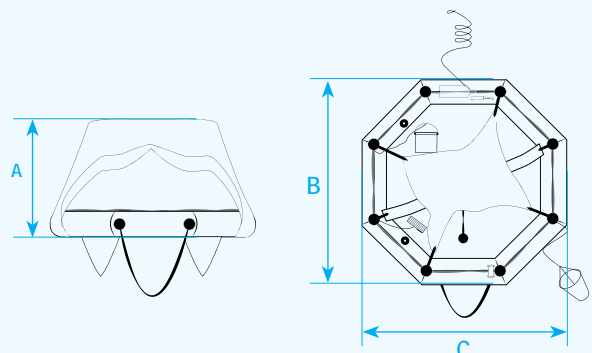
SOLAS approved water-activated compact LED light.



#### without canopy



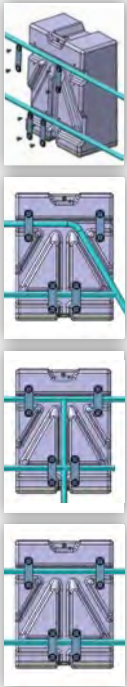
#### with canopy



# Yachting

## LifeLink Evacuation Liferaft, Grey

### Mounting on the rails



Made in EU

# LifeLink

The LifeLink Evacuation Liferaft is one of the most manageable and user-friendly appliances in case of emergency. It is designed for the LALIZAS Leisure Liferaft (4 persons) and guarantees rapid deployment in an M.O.B. situation. By mounting the LifeLink Evacuation Liferaft on the rails, the user manages to save valuable stowage space on board.

### Features

- Material HDPE with UV protection
- All metal components of stainless steel
- Created via rotomolding

Distance between horizontal rails: 310 mm ± 20 mm

\*3-year recommended service interval

Code | 73668



## Liferaft Equipment

### LALIZAS Hydrostatic Release Unit for Liferrafts, SOLAS/MED/USCG

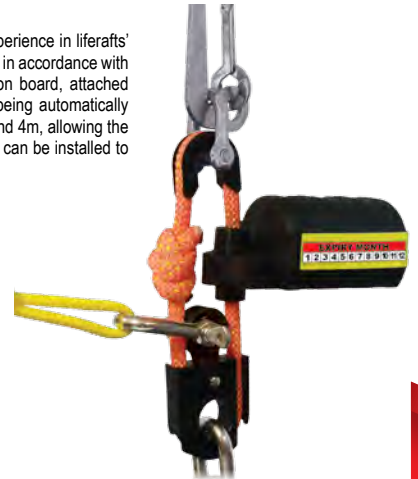


Made in Greece

LALIZAS HRU mechanism is the outcome of a long-term experience in liferafts' manufacturing, designed and produced in the EU (in Greece), in accordance with SOLAS/MED/USCG regulations. It can be easily installed on board, attached to the liferaft according to instructions. The mechanism is being automatically activated, in the event of sinking, in a depth of between 1.5 and 4m, allowing the liferaft to be inflated and detached from the sinking vessel. It can be installed to all liferafts of 4-150 persons.

- No maintenance required
- Requires replacement 2 years after installation on board or 4 years after manufacture, whichever occurs first
- Tested & approved by Force Certification A/S
- SOLAS/MED/USCG approved

Code | 73595



### LALIZAS Lashing with Hook

Suitable for:

- All Hydrostatic Release Units
- LALIZAS OCEANO Liferaft (all types)

Code	71892	72748
For liferafts	6-35 prs	> 50 prs



### Liferaft LED Flashlight

AA Alkaline 1,5V x 2pcs  
(batteries are not included)

Code | 71217



# Liferaft Equipment

## LALIZAS LRL External & Internal Liferaft Light, SOLAS/MED/USCG

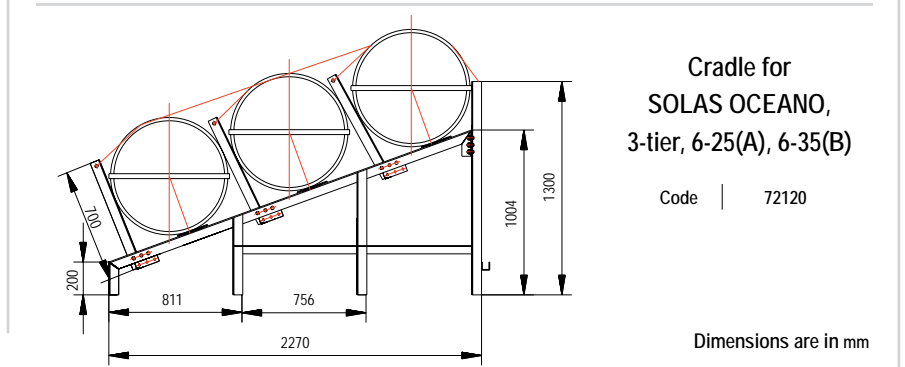
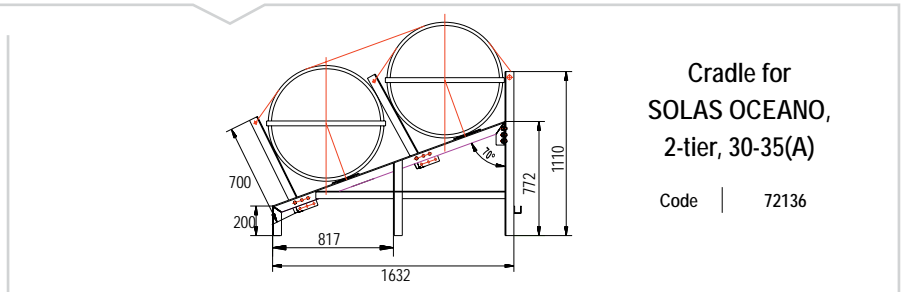
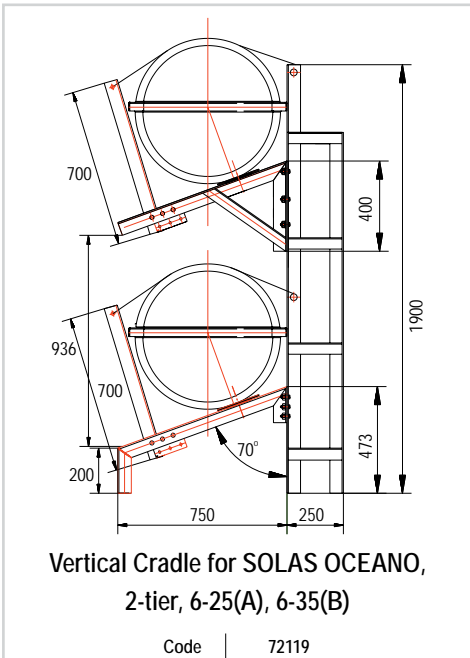
LALIZAS External & Internal Liferaft Light is included in the basic equipment of the liferaft, having a compact size and structure. Its features make the installation to the liferaft easy and safe while it is fully sealed and watertight. The external flashing light is designed to produce a minimum of 4.3 cd and the internal steady light a minimum of 0.5 cd. LALIZAS External & Internal Liferaft Light has a minimum duration of 12 hours and both lamps can be controlled individually. It has lithium battery and LED light and the storage lifetime is 5 years. LALIZAS LRL comes with 70 cm lead length, but this can be varied, subject to the liferaft size and specs. Storage & operating temperature: -30° C to +65° C. SOLAS/MED/USCG approved.



Code	Description
72352	LALIZAS LRL Power Unit with Internal Liferaft Light, SOLAS/MED
72351	LALIZAS LRL External Liferaft Light, with 1m lead, for PU & Rubber surface, SOLAS/MED
73675	LALIZAS LRL External Liferaft Light, with 1,80m lead, for PVC surface, SOLAS/MED



## Cradle for SOLAS OCEANO



Liferafts

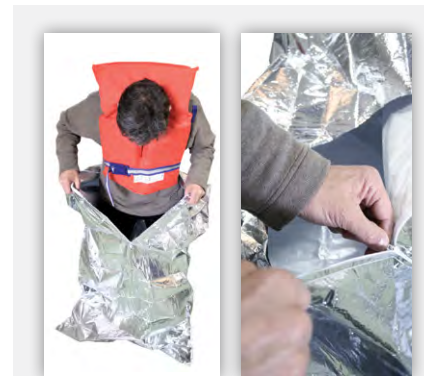


## LALIZAS Thermal Protective Aid Alusafe-T, LSA Code

- Meets the LSA code requirements
- Protects the wearer from hypothermia, which may be caused by prolonged exposure in liferafts and rescue boats
- Offers survivor's protection from wind and cold
- Made of aluminium film coated fabric
- The low thermal conductivity of aluminium reduces both the convective and evaporative heat loss from the wearer's body and preserves stable temperature
- Covers the fully clad body, wearing even a lifejacket
- Available in one size, in silver colour

Height range: 1,45 - 2,00 m  
Weight range: 40-150 Kg

Code | 70461



# Liferaft Equipment



**Liferaft Support Base**

Code | 44838



**Liferaft Support Base, Inox**

min 810x415x225 mm  
max 930x415x225 mm

Code | 70620



**Mooring Ring with 30m Rope Ø4mm**

Designed for the retrieval of MOB, the ring is moulded in PVC, weighing only 250gr and it is tied to a 30m floating rope.

Ext. Diam.: 166 mm  
Int. Diam.: 110 mm

Code | 20693



**Bailer Flexible, Floating, Petrol Blue**

190 x 135 mm (L x W)

Code | 16207



**Buoyant Paddle for Liferafts, Black**

Code	Length (cm)	Diameter (mm)
71851	51,5-76,5	25

## Repair Kit for Neoprene/Rubber Fabrics



Package Includes:

- Cleaner - 30ml
- Hardener/Cross linker - 15ml
- Primer G.O. - 30ml
- Glue (PO 40) - 100ml
- Fabric (neoprene polyester 10x30cm)
- Brush

Application for

- Liferafts
- Tender boats
- Fenders
- Other neoprene & rubber products

Code | 72437

## Repair Kit for TPU/PVC/EVA Fabrics



Package Includes:

- Cleaner - 30ml
- Hardener/Cross linker - 15ml
- Glue (PO 40) - 100ml
- Fabric (Nylon TPU 10x30cm & PVC 10x30cm)
- Brush

Application for

- Liferafts
- Tender boats
- Inflatable Fenders
- Other TPU, PVC & EVA products

Code | 72436

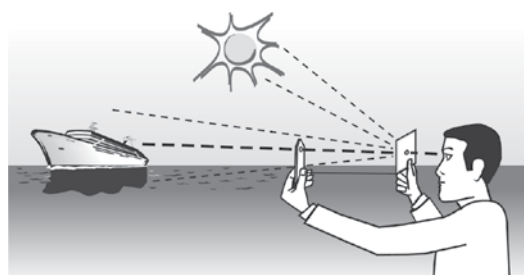


**Signalling Mirror 7x7cm**

Instructions of use:

1. Hold the foresight in your left hand with arm fully extended
2. Hold the signalling mirror in right hand toward the sunlight, facing the back of the mirror
3. Align the holes of the foresight and the mirror on the target
4. Move the mirror until the reflection of the sun from the mirror can be seen on the foresight and a shadow point appears in its hole
5. The ray is now directed at the target

Code | 56570



# Liferaft Equipment

## LALIZAS Emergency Liferaft Drinking Water 4x125ml

Emergency Water rations are vital equipment for survival at sea. They provide the necessary hydration for people who are restrained at sea for a long period of time. LALIZAS is proud to offer its own branded top quality Emergency Water rations produced in Europe. Specially packed in order to withstand severe weather conditions they last for 5 years.



They comply with:

- ISO 18813:2006
- SOLAS as amended
- LSA Code as amended
- Halal Certification

Code | 56700

## LALIZAS Emergency Liferaft Food Ration 0,5 kg, 2.503kcal

Emergency Food rations are vital equipment for survival at sea. They provide the necessary nourishment for people who are restrained at sea for a long period of time. LALIZAS is proud to offer its own branded top quality Emergency Food rations produced in Europe. Vacuum bagged and specially packed in order to withstand severe weather conditions, they last for 5 years.



They comply with:

- ISO 18813:2006
- SOLAS as amended
- LSA Code as amended
- Halal Certification

Code | 57070

## First Aid Kit-Non SOLAS



Contents:

- Anti-Angina Preparations
- Anti-Emetics
- Analgesics – Antipyretics
- Analgesics – Anti-Inflammatory Preparation
- Antiseptic Hydro Peroxide
- Burn Preparation
- Cannula for mouth to mouth Resuscitation
- Adhesive elastic bandage
- Sterile Gauze Compresses
- Cotton
- Adhesive Dressings
- Sterile Pressure Bandages
- Adhesive Sutures
- Adhesive Tape
- Sterile Gauze with water & vegetable oils for burns
- Scissors

Code | 56880

## Thermal Blanket, 2,1 x 1,6m



- First Aid Application
- In case of severe cold or shock wrap the blanket around the body
- Keeps the body's temperature under very low or very high temperatures
- Prevents post – accident shock
- Waterproof
- Its reflective surface provides high visibility
- Dimensions: 2,1 x 1,6m

Code | 70976

## First Aid Kit SOLAS 74, for Lifeboats - Liferafts

Certified by the Ministry of Merchant Marine/Merchant Ships Directorate according to (a) the International Convention on the Safety of Life at Sea 1974 (SOLAS 74) and the 1983 amendments, (b) the Royal Decree 36/1967 and (c) the Presidential Decree 277/1997.



Contents:

- Anti-Angina Preparations, Anti-Hemorrhagics Including Uterotonics, Anti-Acid Mucous Dressings, Anti-Emetics, Anti-Diarroals, Analgesic-Antipiretics, Analgesic-Anti-Inflammatory Preparation, Antiseptic Mercuriochrom, Antiseptic Eau Oxygenee, Burn Preparation, Cannula for Mouth to Mouth Resuscitation, Adhesive Elastic Bandage, Sterile Gauze Compresses, Cotton Wool, Disposable Polyethylene Gloves, Adhesive Dressings, Sterile Compression Bandages, Adhesive Sutures, Sterile Gauze with Fatty Water and Vegetable Oils for Burns, Adhesive Tape, Scissors, Thermometer, Disposable Syringes 2.5ml - 5ml

Code | 71245

## Thermal Blanket, Advanced, 2,1 x 1,6m

With aluminium & titanium coating

**Application:** The thermal blanket helps you keep the body's temperature by protecting you from the sunrays and the very low temperatures. It is suitable for use in cases of accident, but also for protection against wind, rain or heat.



**Instructions:** When you need to avoid hypothermia, use the thermal blanket with the golden side facing upwards. In case you need protection from the heat, use the thermal blanket with the silver side facing upwards.

Code | 70975

## Cap for Overpressure Valve



Code | 500143

## Inflation/Deflation (PVC) Valve for ISO-RAFT



Code | 02022

# Inflatable Lifejackets



- SOLAS Inflatable Lifejackets
- ISO Inflatable Lifejackets
- Inflatable Lifejacket Accessories

# SOLAS Inflatable Lifejackets

## LALIZAS Inflatable Lifejackets Lamda, Auto, 150N, 275N, 330N, SOLAS/MED



- Certified per SOLAS, for ultimate safety while on board
- Certified according to the specifications of the HSE Compatibility Test Protocol for Lifejackets and Immersion suits on Offshore installations (when combined with LALIZAS Immersion suit with rubber gloves)
- Ideal for use on commercial vessels, offshore platforms and mega yachts (based on the product code you will choose)
- Twin chambers as per SOLAS requirements
- Lamda 330N goes above and beyond the standard regulations of 275N
- It is the only SOLAS lifejacket in its category with two stainless steel buckles, on the center and side of the waist harness, in order to be easily removed even inflated, when needed & features a crotch strap
- Available in one adult size, which can be easily adjusted to passengers with chest size up to 175cm or more, with the use of the LALIZAS Waist Belt Extender (71161)

**CE 150N**  
**Lamda**  
SOLAS LALIZAS

**CE 275N**  
**Lamda**  
SOLAS LALIZAS

**330N**  
**Advanced Lamda**  
SOLAS LALIZAS



**AVAILABLE WITH A  
SPRAYHOOD  
CODE 72115**

LALIZAS Inflatable Lifejacket  
Lamda, Auto, SOLAS/MED

Code	71107	71216
Adult	✓	✓
Newton	150	275

LALIZAS Inflatable Lifejacket Advanced Lamda, Auto, 330N,  
with Crotch Strap, with/without Sprayhood, SOLAS/MED

Code	72114	72115
Adult	✓	✓
Newton	330	
Sprayhood		✓



71107 & 71216



72114



72115

SOLAS Inflatable  
Lifejackets can be  
combined with



LALIZAS Sprayhood for SOLAS Inflatable  
Lifejackets

For more information  
see page 40



# SOLAS Inflatable Lifejackets

LALIZAS Inflatable Lifejacket Lamda, Auto, 150N, SOLAS/MED, Adult, with Ocean Signal MOB1, Set



LALIZAS Inflatable Lifejacket Lamda, Auto, 275N, SOLAS/MED, Adult, with Ocean Signal MOB1, Set



**Delta**  
150N  
SOLAS  
LALIZAS  
www.lalizas.com



**LALIZAS Inflatable Lifejacket Belt-Pack Delta, Auto, 150N, SOLAS/MED, Adult**

- Certified per SOLAS, for ultimate safety while on board
- Twin chambers as per SOLAS requirements
- Provides the maximum safety thanks to its fast inflation ability, even at very low temperatures
- Extra user-friendly lifejacket, ideal for saving valuable space on board
- Available in one adult size, which can be easily adjusted to passengers with chest size up to 175cm or more, with the use of the LALIZAS waist belt extender (71161)

Code | 71108

**LALIZAS Inflatable Lifejacket Vacuum Packed, Delta, Auto 150N, SOLAS/MED, Adult with LALIZAS Lifejacket Light, SOLAS/MED**

**Delta**  
150N  
SOLAS  
LALIZAS  
www.lalizas.com



- Ideal for passenger vessels
- Twin chambers as per SOLAS requirements
- Pre-installed LALIZAS Lifejacket LED Flashing Light "Safelite IV"
- Vacuum packed
- Increased lifespan
- Easy storage



with LALIZAS Lifejacket Light

Lifejackets can be combined with



LALIZAS Lifejacket LED Flashing Light "Safelite IV" ON-OFF Water-activated, SOLAS/MED/USCG

For more information see page 54

# ISO Inflatable Lifejackets

Kappa Inflatable Lifejacket, Auto, 180N, with Double Crotch & Harness, ISO

## Kappa

LALIZAS

CE



**Ergonomic design**

**High quality**

- Certified per ISO 12402-3 & ISO 12401
- Ergonomic design, providing the advantage of unrestricted motion when on board
- Made of Nylon rip stop with PU coating and soft neoprene fabric for neck and chest areas
- Indicator window for easy check of the inflator status

Code	72194	72195
Adult	✓	✓
Automatic Inflator	LALIZAS JS1	HAMMAR MA1

Quick burst zipper & automatic activation of inflator



Soft neoprene fabric at neck and chest areas

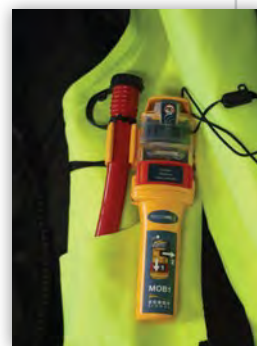


Indicator window for easy check of the inflator status



**Kappa Inflatable Lifejacket, Auto, 180N, with Double Crotch & Harness, ISO, Adult, with Ocean Signal MOB1, Set**

Code | 73582



# ISO Inflatable Lifejackets

Theta Inflatable Lifejacket, Auto, 290N, with Sprayhood, Double Crotch & Harness, ISO

## Theta LALIZAS

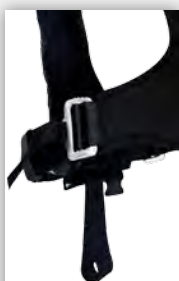
CE

Ergonomic design

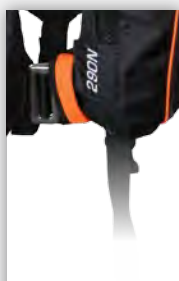
High quality



**SPRAYHOOD**



Quick adjusting & easy fit



Soft D-ring & safety knife pocket



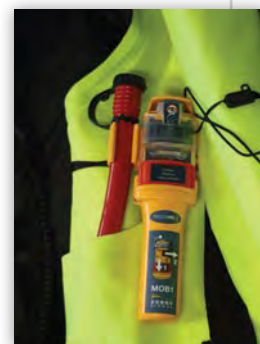
Twin crotch-straps and lifting loops

- Certified per ISO 12402-2 & ISO 12401
- A complete and reliable solution for all seafarers looking for ultimate safety and style on board
- Ergonomic design offering unrestricted motion and comfort even when worn with heavy-duty clothing
- Made of Nylon rip stop with PU coating and soft neoprene fabric for neck and chest area

Code	72196	72197
Adult	✓	✓
Automatic Inflator	LALIZAS JS1	HAMMAR MA1

Theta Inflatable Lifejacket, Auto, 290N, with Sprayhood, Double Crotch & Harness, ISO, Adult, with Ocean Signal MOB1, Set

Code | 73583



Inflatable Lifejackets

# ISO Inflatable Lifejackets

## Sigma Inflatable Lifejacket, 170N, ISO



- Certified per ISO 12402-3
- Auto & manual version
- Comfortable to wear & user-friendly due to its ultra-lightweight design and webbing system
- Transparent area allows the user to check the function of the operating head (this applies to certain codes)
- Ultra reliable auto-firing mechanism which is specially designed not to be unintentionally activated due to heavy weather
- Commercial heavy-duty protective outer cover
- Easy re-packing



**Sigma Inflatable Lifejacket,  
Auto, 170N, with Plastic Buckle,  
Harness & Zipper, ISO, Adult,  
with Ocean Signal MOB1, Set**



Code | 73581

**Sigma Inflatable Lifejacket,  
Auto, 170N, with Plastic Buckle,  
ISO, Adult, with Ocean Signal  
MOB1, Set**



Code | 73580

**Sigma Work Vest, Auto, 170N,  
ISO, Adult, Orange Durable PVC  
Fabric Cover, with Ocean Signal  
MOB1, Set**



Code | 73650



## ISO Inflatable Lifejackets



Code	71094	71096	71097	720811	72081
Colour	●	●	●	●	●
Adult	✓	✓	✓	✓	✓
Automatic Inflator	✓	✓		✓	✓
Manual Inflator			✓		
Plastic Buckle					
Zipper					
D-ring / Harness	✓			✓	✓
Crotch Strap				✓	✓
LALIZAS JS1	✓	✓			✓
HAMMAR MA1				✓	
Work Vest					



Code	72154	72560	725601	72561	725611
Colour	●	●	●	●	●
Adult	✓	✓	✓	✓	✓
Automatic Inflator	✓	✓	✓	✓	✓
Manual Inflator					
Plastic Buckle		✓	✓	✓	✓
Zipper				✓	✓
D-ring / Harness				✓	✓
Crotch Strap				✓	✓
LALIZAS JS1	✓	✓	✓	✓	✓
HAMMAR MA1					
Work Vest	✓				

\* Special colours are available upon request and sufficient quantities.

# ISO Inflatable Lifejackets

## Zeta Inflatable Lifejacket, Auto, 290N, ISO

**Zeta**<sup>290N</sup>  
LALIZAS



- Certified per ISO 12402-2
- Ergonomic lifejacket that is comfortable to wear & user-friendly due to its webbing system

Code	72399	72400
Colour	●	●
Adult	✓	✓
Automatic Inflator (LALIZAS JS1)	✓	✓
D-ring / Harness	✓	
Crotch Strap	✓	
Durable PVC fabric cover		✓
Work Vest		✓

CE

## Alpha Inflatable Lifejacket, 170N, ISO

**Alpha**<sup>LALIZAS</sup>  
170N



- Certified per ISO 12402-3
- Certified per ISO 12401 on all integral black harnesses
- Auto & manual version
- Compact design, low weight and high-quality construction
- Ideal for the coastal and inshore yachtsmen
- Ultra reliable firing mechanism
- Commercial heavy-duty protective outer cover
- Easy re-packing

Code	71098	71100	71101	71102
Adult	✓	✓	✓	
Child				✓
Automatic Inflator (LALIZAS JS1)	✓	✓		✓
Manual Inflator			✓	
D-ring / Harness	✓			✓

CE

# ISO Inflatable Lifejackets

## Omega Inflatable Lifejacket, Auto, 290N, ISO



Twin welded air bladder seam for double security



Oral-tube

Auto heads designed not to fire in heavy weather



- Certified per ISO 12402-2
- Certified per ISO 12401 on all integral black harnesses
- Slim fit, lightweight, with rugged constructions
- Coming in two codes, one with harness and one without harness
- Ultra reliable firing mechanism
- Commercial heavy-duty protective outer cover
- Easy re-packing

Code	71103	71105
Adult	✓	✓
Automatic Inflator (LALIZAS JS1)	✓	✓
D-ring / Harness	✓	



Inflatable Lifejackets with Harness can be combined with



LALIZAS Lifelink Safety Lines

For more information see page 39

## Delta Inflatable Lifejacket Belt-Pack, 150N, ISO



- Certified per ISO 12402-3 for ultimate safety while on board
- Auto & manual version
- User-friendly, providing the maximum safety, thanks to its fast inflation ability, even at very low temperatures
- Ideal for all ships, especially the small ones where storage space is limited

Code	71109	71201
Adult	✓	✓
Manual Inflator	✓	
Automatic Inflator (LALIZAS JS1)		✓



# ISO Inflatable Lifejackets

## Vita Inflatable Lifejacket, Manual, 120N, ISO

**Vita**<sup>120N</sup>  
LALIZAS



CE

Vacuum packed  
Easy-to-store  
Saves valuable stowage space



If package is without damage and stored appropriately, then it should be serviced every 10 years from manufacturing date.

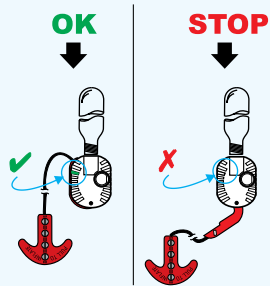
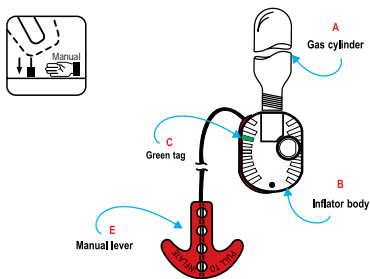
- Certified per ISO 12402-4 & 12402-6 for ultimate safety while on board
- Designed to cover marine market's need for an ultra-lightweight lifejacket
- Reflective tapes and oral inflation tube with non-return valve (20610, certified per ISO 12402-7)
- Plastic buckle for quick closure & release
- Ideal for civil transport vessels and tourist boats
- Provided in transparent vacuumed pack

Code	72326
Newton	120
Manual Inflator	✓

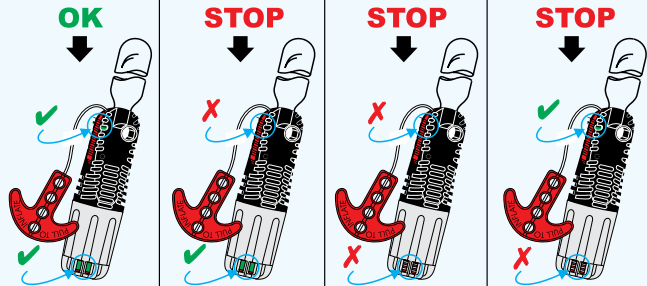
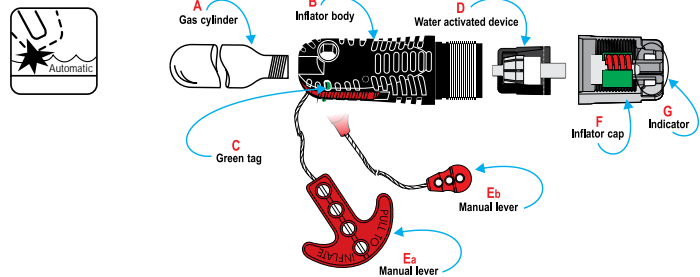


### Kappa - Theta - Omega - Alpha - Sigma - Delta - Vita

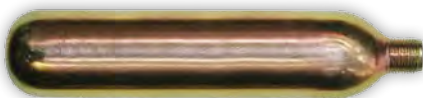
#### LALIZAS Manual Inflator



#### LALIZAS JS1 Automatic Inflator



## Inflatable Lifejacket Accessories



### CO<sub>2</sub> Cylinder

Code	00349	00348	02597	02197
Size	24 gr	33 gr	38 gr	60 gr





# Inflatable Lifejacket Accessories

## LALIZAS Re-arm Kits



LALIZAS Auto Re-arm Kit for JS1 Adult Lifejacket, 60gr

Code | 73676



LALIZAS Auto Re-arm Kit for JS1 Adult Lifejacket, 33gr

Code | 20190



LALIZAS Auto Re-arm Kit for JS1 Child Lifejacket, 24gr

Code | 20200



LALIZAS Manual Re-arm Kit for Adult Lifejacket, 33gr

Code | 71323



LALIZAS Auto Re-arm Bobines, for Adult & Child Lifejacket, set of 4

Code | 71324



LALIZAS Auto Re-arm Mechanism HAMMAR MA1 & Cylinder 33gr

Code | 71741



### Safety Harness, ISO

Available in both adult and child sizes, it features a heavy-duty stainless steel interlocking buckle, a D-ring and a fully adjustable black polyester waist webbing.

Approved per the European standards ISO 12401.

Code	71145	71146
Type	Adult	Child
Chest Size (cm)	70 to 150	60 to 90
Weight (kg)	>50	20-50

CE



### Safety Harness ISO, with Double Safety Line ISO, Set

This safety harness comes as set with the LifeLink Double Safety Line of 185 cm in length for extra safety on board. Available in adult (71145) & child (71146) sizes. The safety harness as well as the safety line are ISO approved.

Code	74570	74571
Type	Adult	Child
Chest Size (cm)	70 to 150	60 to 90
Safety Line Length (cm)	185	
Weight (kg)	>50	20-50

CE

Stainless steel double insured hooks

## LifeLink Safety Lines, ISO

The LifeLink Safety Lines are available in single, double, double elastic and triple hook configurations and are all approved per ISO 12401. Their double action hook design prevents accidental opening whilst still offering superb single handed operation.

CE



Single, Length 150 cm  
Code | 71147



Double, Length 185 cm  
Code | 71148



Triple, Length 200 cm  
Code | 71149



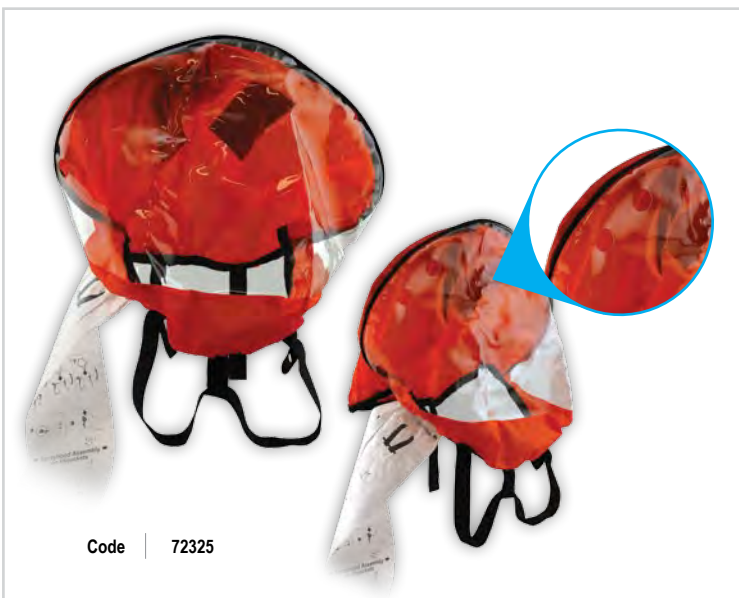
Double, Elastic, Length 100-180 cm  
Code | 71150



Hook, ISO  
Code | 71151

# Inflatable Lifejacket Accessories

## LALIZAS Sprayhood for ISO Inflatable Lifejackets

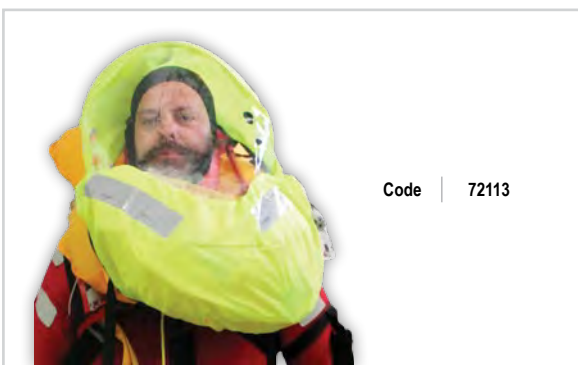


Code | 72325

- Suitable for every adult inflatable lifejacket of 150N
- Very easy to use, it is designed to fit over the head
- Equipped with ventilation holes for easy breathing
- Provided along with donning and storage instructions & sprayhood folding instructions
- Meets the requirements of ISO 12402-8



Suitable for Sigma, Alpha, Kappa & Delta inflatable lifejackets



Code | 72113

## LALIZAS Sprayhood for SOLAS Inflatable Lifejackets

- Suitable for SOLAS inflatable lifejackets
- Designed to fit over the head and cover the inflated chamber
- Equipped with small holes to facilitate breathing
- It is not deployed automatically, so it is important to practice using it in advance
- It comes as standard with LALIZAS Infl. Lifejacket Adv. Lamda, Auto, 330N, w/sprayhood & crotch strap, SOLAS/MED (product code: 72115)

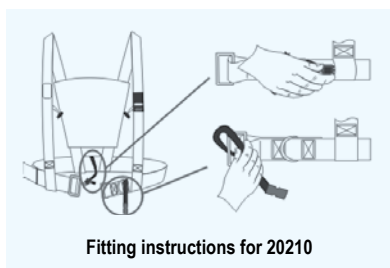
Suitable for LALIZAS Lamda & Delta inflatable lifejackets

## Harness & Lifejacket Crotch Strap

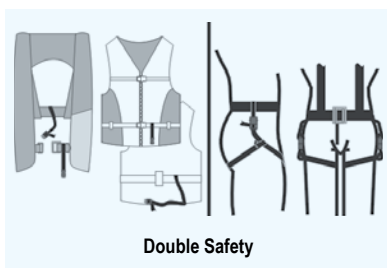
The crotch strap can be used with all LALIZAS lifejackets / buoyancy aids and harnesses.



Code | 20210



Fitting instructions for 20210



Double Safety

## LALIZAS Waist Belt Extender for SOLAS Inflatable Lifejackets



Code | 71161  
Length | 50 cm

# Inflatable Lifejacket Accessories

## Sea Dye Marker

- Lifesaving device used for sea rescue, usually requested by Army/Navy
- Contains a fluorescent green dye that spreads over the surface of the water so as to increase visibility for a rescue pilot to see
- Can be easily placed in a life vest pocket or life raft safety kits or else
- The bright green pattern on the water can be seen for about a mile or 2km and lasts vividly for about 60 minutes
- To use, just tear in the area indicating the marking on the PVC bag



- Main materials**
- PVC bag
  - Fluorescent dye, Uranine U, 90gr

**Code** | 70464

## LALIZAS Inflatable Lifejacket Protective Work Cover



Front



Back

**Code** | 71211

- Provides shielding against heat, sparks, flame, soft chemicals
- Easy fit / Simple-to-use design
- Lightweight fabric
- Does not affect the operation, behaviour & water performance of the protected lifejacket

**Suitable for:**

**Sigma Lifejackets:**

71096, 71097, 72154, 72560, 72561, 72081 & 720811

**Zeta Lifejackets:**

72399 & 72400

**Lamda Lifejackets:**

71107, 71216, 72114 & 72115

1



Turn the protective work cover, so that you face its back side

2



Open the cover around its Velcro tape and unfold it side

3



While unfolded, make sure the square belt edges lie towards the center

4



Turn the inflatable lifejacket, so that you face its back side

5



Place the lifejacket on the open protective cover

6



Pass the unfolded cover side through the lifejacket's center

7



Open the square left belt edge of the cover

8



Place it under the center of the belt

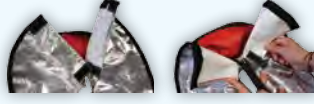
9



Then pass it around the lifejacket's left belt holder (under the belt)

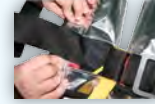


10



Open the Velcro tape on the top and place the strap

11



Close the cover's belt edge & secure the lifejacket's belt holder

12



Repeat the procedure with the right square belt edge of the cover

13



Close & secure with the Velcro tape

14



Close the cover around the lifejacket, using the cover's peripheral velcro tape

15



Front

Back

Once the protective work cover is properly adjusted, the lifejacket is ready for use

# Inflatable Lifejacket Accessories

## Maintenance of Inflatable Lifejackets

**Maintenance-Storage Instructions:** Store the lifejacket in a dry place away from direct sunlight. Don't expose the lifejacket to excessive heat. Do not use as a cushion. Check if the CO<sub>2</sub> cylinder is perforated or damaged. In this case you should replace it. Check the state of the lifejacket (inflatable chamber, buckles, whistles, webbings and harnesses). In case of a severe drop or signs of deterioration contact your local approved service station. LALIZAS spare parts need to be replaced after each use, or 3 years after the manufacturing date. Always check the manufacturing date. **Servicing Instructions:** Your lifejacket shall be serviced at least every year (and more frequently in case of intensive use). **Lifetime of the lifejacket:** 10 years of the manufacturing date.

### How to wear an inflatable lifejacket



### How to manually activate an inflatable lifejacket



## Technical Characteristics for Inflatable Lifejackets Kappa / Theta / Zeta / Omega / Alpha / Sigma / Vita / Lamda / Delta

Code	Approval		Automatic System	Manual System	Child Lifejacket	CO <sub>2</sub> Gas Cylinder				Twin Chambers	Retro reflective tapes	Oral-tube	Plastic buckle	Stainless Steel buckle	Adjusters	Whistle	Heavy-Duty, Stainless Steel/ Soft D-Ring	Colour
	CE ISO 12402	SOLAS				33gr	60gr	24gr	38gr									
71094	✓		✓			✓					✓	✓		✓	✓	✓	✓	Red
71096	✓		✓			✓					✓	✓		✓	✓	✓	✓	Red
71097	✓			✓		✓					✓	✓		✓	✓	✓	✓	Red
71098	✓		✓			✓					✓	✓		✓	✓	✓	✓	Red
71100	✓		✓			✓					✓	✓		✓	✓	✓	✓	Red
71101	✓			✓		✓					✓	✓		✓	✓	✓	✓	Red
71102	✓		✓		✓			✓			✓	✓		✓	✓	✓	✓	Red
71103	✓		✓				✓				✓	✓		✓	✓	✓	✓	Red
71105	✓		✓				✓				✓	✓		✓	✓	✓	✓	Red
71107		✓	✓			✓				✓	✓	✓		✓	✓	✓	✓	Red
71216		✓	✓				✓			✓	✓	✓		✓	✓	✓	✓	Red
71108		✓	✓			✓				✓	✓	✓		✓	✓	✓	✓	Black
71109	✓			✓		✓					✓	✓		✓	✓	✓	✓	Red
71201	✓		✓			✓					✓	✓		✓	✓	✓	✓	Red
72081	✓		✓			✓					✓	✓		✓	✓	✓	✓	Black
72154	✓		✓			✓					✓	✓		✓	✓	✓	✓	Orange
72114		✓	✓				✓			✓	✓	✓		✓	✓	✓	✓	Red
72115		✓	✓				✓			✓	✓	✓		✓	✓	✓	✓	Red
72194	✓		✓						✓		✓	✓		✓	✓	✓	✓	Black
72195*	✓		✓						✓		✓	✓		✓	✓	✓	✓	Black
72196	✓		✓				✓				✓	✓		✓	✓	✓	✓	Black
72197*	✓		✓				✓				✓	✓		✓	✓	✓	✓	Black
72399	✓		✓				✓				✓	✓		✓	✓	✓	✓	Black
72400	✓		✓				✓				✓	✓		✓	✓	✓	✓	Red
720811*	✓		✓			✓					✓	✓		✓	✓	✓	✓	Blue
72326	✓			✓					✓		✓	✓	✓	✓	✓	✓	✓	-
711081		✓	✓			✓				✓	✓	✓		✓	✓	✓	✓	-
72560	✓		✓			✓					✓	✓		✓	✓	✓	✓	Red
725601	✓		✓			✓					✓	✓		✓	✓	✓	✓	Black
72561	✓		✓			✓					✓	✓		✓	✓	✓	✓	Red
725611	✓		✓			✓					✓	✓		✓	✓	✓	✓	Black

\* Automatic Inflator HAMMAR MA1

# Foam Lifejackets



- SOLAS Foam Lifejackets
- ISO Foam Lifejackets & Lifebelts
- ISO Watersports Buoyancy Aids
- Pet Buoyancy Aids

# SOLAS Foam Lifejackets

## LALIZAS Foam Lifejackets Advanced, SOLAS/MED

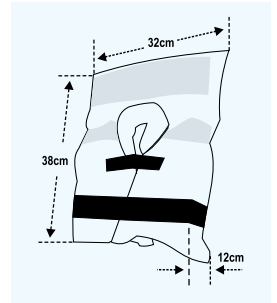
The series of SOLAS Foam Lifejackets Advanced fully complies with the new regulations [IMO Resolutions (MSC.201(81), MSC.207(81), MSC.200(80), MSC.226(82), MSC.218(82), MSC.216(82), MSC.81(70), MSC.323(89), MSC.368(93) & MSC.378(93)], which are mandatory for all lifejackets used on board EU flagged vessels.

### LALIZAS Foam Lifejacket Advanced, SOLAS/MED



- Manufactured to equip all commercial vessels under SOLAS/MED
- Features lifting loop and orange buddy line for easy rescue
- Recommended to combine the lifejacket with the compatible LALIZAS Lifejacket LED Flashing Light
- Required on board EU flagged vessels as per regulations

Code	70176
Type	Infant
Weight (Kg)	0-15

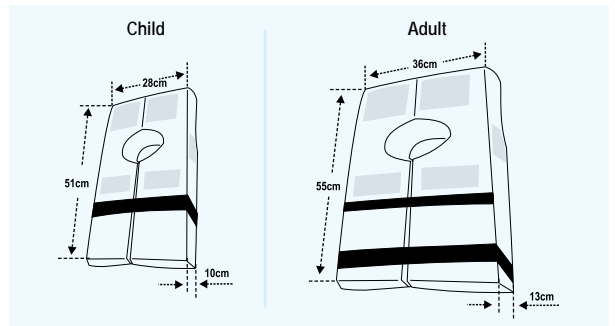


### LALIZAS Foam Lifejacket Advanced, SOLAS/MED

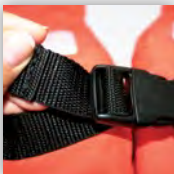


- Manufactured to equip all commercial vessels under SOLAS/MED
- Provided with lifting loop and orange buddy line for easier rescue
- Supplied in adult and child sizes
- The adult lifejacket is appropriate for passengers with chest size up to 175cm and overweight passengers
- Recommended to combine the lifejacket with the compatible LALIZAS Lifejacket LED Flashing Light
- Required on board all EU flagged vessels as per regulations

Code	70177	70178
Type	Child	Adult
Weight (Kg)	15-43	>43



#### Features



Adjustable strap  
(70176 & 70178)



Comfortable fit around  
the neck



Whistle



Lifting loop



Orange buddy line

Lifejackets can be  
combined with



LALIZAS Lifejacket LED Flashing Light  
"Safelite IV" ON-OFF Water-activated,  
SOLAS/MED/USCG

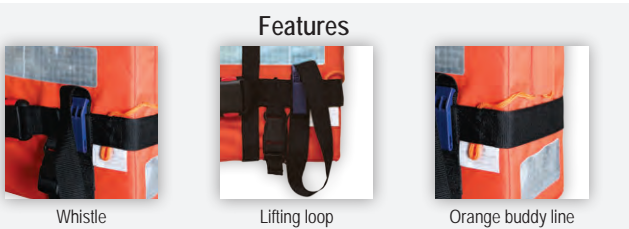
For more information  
see page 54

# SOLAS Foam Lifejackets

## LALIZAS Foam Folding Lifejacket Compact, SOLAS/MED

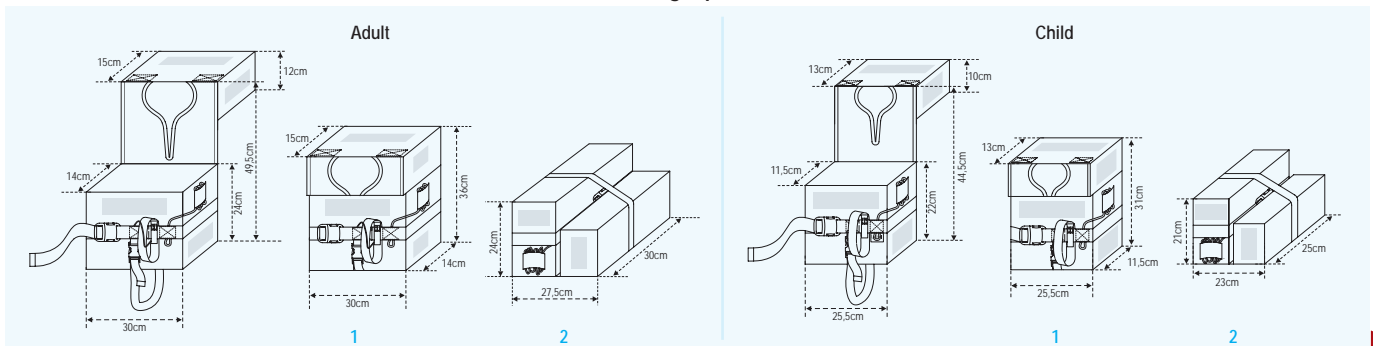
The series of Compact Folding Lifejackets SOLAS fully complies with the new regulations [IMO Resolutions (MSC.201(81), MSC.216(82), L.S.A. Code as amended by 207(81), 218(82); and MSC 81(70), MSC.200(80), MSC. 226(82), MSC. 323(89), MSC. 368(93) & MSC. 378(93)], which are mandatory for all lifejackets used on board EU flagged vessels.

Driven by regulation changes for lifejacket accessibility on cruise ships, and customer demand for reduced bulk and improved storage options, LALIZAS has designed the Compact lifejacket to best service these needs.



Code	72214	72215
Type	Adult	Child
Weight (Kg)	43-140	15-43

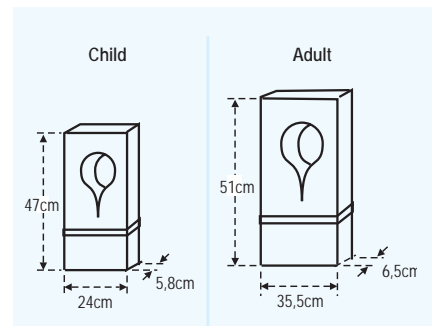
### Folding Options



### LALIZAS Foam Lifejacket SOLAS '74

- Manufactured in accordance with SOLAS '74 requirements
- Commercial grade lifejacket
- Available in adult and child sizes

Code	70157	70159
Type	Child	Adult
Weight (Kg)	0-55	>55



Dimensions are in cm

# ISO Foam Lifejackets & Lifebelts

## LALIZAS Lifejacket 100N, ISO

- Approved to the European standards for 100N Lifejackets and ISO 12402-4
- All of its raw materials are tested per ISO 12402-7 and ISO 12402 -8 for higher strength, quality and durability
- Specifically designed to turn the unconscious user on a face-up position on time and to offer support for the head
- A large flotation collar supports the user's head keeping it out of water
- It has a crotch strap for keeping the vest securely when in the water
- It has webbing fastener, LALIZAS Whistle (70010), plastic zip and SOLAS Retroreflective Tapes (70180)
- An end rope with plastic button is fixed at the end of the lifejacket for adjustable wearing
- Three main options, suitable for infants, children and adults
- The baby (72067) and the child (72068 & 71077) lifejackets feature also fabric diaper
- Available in 8 sizes, in fluorescent orange colour
- Lifting loop

Code	Type	Weight (kg)	Chest Size (cm)
72067	Baby	3-10	50-60
72068	Child	10-20	60-75
71077		15-30	60-70
71078	Adult	30-40	70-80
71079		40-50	80-90
71080		50-70	90-100
71081		70-90	100-120
71082		>90	120-130



## LALIZAS Lifejacket 150N, ISO

- Approved to the European standards for 150N lifejackets, ISO 12402-3
- All of its raw materials are tested per ISO 12402-7 and ISO 12402 -8, for higher strength, quality and durability
- Its design provides the user's turn on time
- A large flotation collar supports the user's head for keeping the head out of water
- It has a crotch strap for keeping the vest securely when in the water
- It has one webbing fastener, LALIZAS Whistle (70010), plastic zip and SOLAS Retroreflective Tapes (70180)
- An end rope with plastic button is fixed at the end of the lifejacket for adjustable wearing
- Provided with a lifting loop for rescue
- Suitable for children and adults
- The child lifejacket 71083 features fabric diaper
- Available in 6 sizes, in fluorescent orange colour

Code	Type	Weight (kg)	Chest Size (cm)
71083	Child	15-30	60-70
71084		30-40	70-80
71085	Adult	40-50	80-90
71086		50-70	90-100
71087		70-90	100-120
71088		>90	120-130





# ISO Foam Lifejackets & Lifebelts

## CHICO



71073



71074



72069 | 72070



### Chico Lifejacket 100N, ISO

- Approved to the European standards for 100 Newton lifejackets, ISO 12402-4
- All of its raw materials are tested per ISO 12402-7 and ISO 12402-8, for higher strength, quality and durability
- Lifejacket's foam distribution helps the child to face upwards, out of the water, providing quick turn in case it is unconscious
- A large flotation collar supports the child's head
- All codes feature a crotch strap for higher safety
- It includes one webbing fastener, LALIZAS Whistle (70010), plastic zip and SOLAS Retroreflective Tapes (70180)
- An end rope with plastic button is fixed at the end of each lifejacket for adjustable wearing
- Improved fit and maximum safety
- The baby (72069) and the child (72070 & 71073) lifejackets feature fabric diaper
- Available in 4 sizes

Code	Type	Weight (kg)	Chest Size (cm)
72069	Baby	3-10	50-60
72070	Child	10-20	60-75
71073		15-30	60-70
71074		30-40	70-80

## CHICO



71075



71076



### Chico Lifejacket 150N, ISO

- Approved to the European standards for 150 Newton lifejackets, ISO 12402-3
- All of its raw materials are tested per ISO 12402-7 and ISO 12402-8, for higher strength, quality and durability
- Lifejacket's foam distribution helps the child to face upwards, out of the water, providing quick turn in case it is unconscious
- A large flotation collar supports the child's head
- All codes feature a crotch strap for higher safety
- It includes one webbing fastener, LALIZAS Whistle (70010), plastic zip and SOLAS Retroreflective Tapes (70180)
- An end rope with plastic button is fixed at the end of each lifejacket for adjustable wearing
- Improved fit and maximum safety
- The code 71075 features fabric diaper
- Available in 2 sizes

Code	Type	Weight (kg)	Chest Size (cm)
71075	Child	15-30	60-70
71076		30-40	70-80

Lifejackets can be combined with



LALIZAS Lifejacket LED Flashing Light "Safelite IV" ON-OFF Water-activated, SOLAS/MED/USCG

For more information see page 54

# ISO Foam Lifejackets & Lifebelts

Adult



Child



## LALIZAS Lifebelt 100N, ISO

- Certified per EN ISO 12402-4, EN ISO 12402-7 and EN ISO 12402-9 testing standards according to directive 2016/425/EEC for recreational boats
- Designed for people who may have to wait for rescue, but are likely to do so in sheltered water
- Equipped with a 30mm width waist webbing, 100cm<sup>2</sup> SOLAS Retroreflective Tapes (70180) and LALIZAS Whistle (70010)

Code	Child	Adult
	70992	70991
Body Weight (Kg)	15-40	>40
Chest Size (cm)	50-80	80-125



Adult



Child



## LALIZAS Lifebelt 150N, ISO

- Certified per EN ISO 12402-3, EN ISO 12402-7 and EN ISO 12402-9 testing standards according to directive 2016/425/EEC for recreational boats
- Designed for general application or for use with foul weather clothing
- Capable to turn an unconscious person into a safe position
- Requires no subsequent action by the user to maintain this position
- Equipped with a 30mm width waist webbing, 300cm<sup>2</sup> SOLAS Retroreflective Tapes (70180) and LALIZAS Whistle (70010)

Code	Child	Adult
	70994	70993
Body Weight (Kg)	15-40	>40
Chest Size (cm)	50-80	80-125



## Lifejackets Dry Bag

- Simple and easy-to-use Lifejackets Dry Bag
- The most "intelligent" and waterproof storage solution for all the necessary safety equipment of your boat
- Made of durable transparent material, without any unnecessary seams
- It meets the minimum space consumption requirements
- It offers the ability of immediate use in case of an emergency or a boat inspection
- Specially designed for storing foam lifejackets of 100N & 150N
- Can safely store all hand and smoke signals required by regulations, in the available space between the lifejackets' neck grooves

Code	Size	Dimensions (cm)	Suitable for LALIZAS lifejackets		
			70991 (100N)	70993 (150N)	70159 (SOLAS '74)
71220*	1	93x57x36	4	3	5
71221*	2	93x68x36	6	4	7
71222*	3	93x93x36	9	6	10

\*Lifejackets not included



## ISO Foam Lifejackets & Lifebelts



### Lifejackets Dry Bag with 4 or 6 pcs 70991 (100N), Set

Code	Included	Dimensions (cm)
71223	4pcs 70991 (100N)	60x36x28
71224	6pcs 70991 (100N)	60x36x45



### LALIZAS Work Vest 50N, ISO



- Approved to the European standards for 50N buoyancy aids, ISO 12402-5
- All of its raw materials are tested per ISO 12402-7 and ISO 12402-8 for higher strength, quality and durability
- Specifically designed and manufactured for use in the work environment
- It is open on the side areas, being lightweight when wearing it
- Made of special polyester anti-fire fabric
- Its two waist webbings are adjusted by the stainless steel D-rings and hooks
- It comes with SOLAS Retroreflective Tapes (70180)
- It has a fabric pocket for placing tools or other light equipment
- It is available in one adult size and in orange colour



Code	Type	Weight (kg)	Chest Size (cm)
71144	Adult	>40	80-130

### Accessories for the Work Vest



Code	Description
71153	Buckle for 71144, Inox 304, 34x26,5x3mm
71154	D-Ring for 71144, Inox 316, 25x20mm
71155	J Hook for 71144, Nickel plated steel

## ISO Watersports Buoyancy Aids

**FIT & FLOAT**



Special colours available upon request and sufficient quantities.

### Fit & Float Buoyancy Aid 50N, ISO

- Ideal for ski & jet ski
- It covers the waist and back, while it remains comfortable
- It includes one webbing fastener and plastic zip
- End and top ropes are fixed on the lifejacket for adjustable wearing
- All of its raw materials are tested per ISO 12402-7 and ISO 12402-8 for higher strength, quality and durability

Code	Type	Weight (kg)	Chest Size (cm)
72155	Child	30-50	60-80
72156	Adult	50-70	80-100
72157		70-90	100-130
72158		>90	130-160



# ISO Watersports Buoyancy Aids



## Easy Rider Buoyancy Aid 50N, ISO

- Ideal for ski & jet ski
- It covers the waist and back, while it remains comfortable
- It includes one fixed and one adjustable webbing fastener and SOLAS Retroreflective Tapes (70180)
- Approved to the European standards for 50N buoyancy aids, ISO 12402-5
- All of its raw materials are tested per ISO 12402-7 and ISO 12402-8, for higher strength, quality and durability
- Available in 2 sizes, in orange & yellow colour combination

Code	Type	Weight (kg)	Chest Size (cm)
71089	Child	25-40	65-80
71090	Adult	>40	80-130



## Performance Buoyancy Aid 50N, ISO

- Ideal for canoe kayak, ski, jet ski & sailing
- Ergonomic design that provides better fit and storage
- It offers a new level of comfort and buoyancy
- Features one waist webbing fastener for total safety, plastic zip and SOLAS Retroreflective Tapes (70180)
- Its reflective silver edging and advanced back neck area complete its design characteristics
- Approved to the European standards for 50N buoyancy aids, ISO 12402-5
- All of its raw materials are tested per ISO 12402-7 and ISO 12402-8, for higher strength, quality and durability
- Available in 4 sizes, in blue & white colour combination
- Code 71288 comes with crotch strap

Code	Type	Weight (kg)	Chest Size (cm)
71091	Child	25-40	65-80
71092	Adult	40-70	80-100
71093		>70	100-130
71288		>90	130-160



## Action Buoyancy Aid 50N, ISO

- Ideal for sailing
- Improved design, providing tighter and convenient fit on the wearer
- Dual webbing fasteners for total safety (steady and movable), plastic zip and SOLAS Retroreflective Tapes (70180)
- It offers a new level of comfort and buoyancy
- Its reflective silver edging and advanced back neck area complete its design characteristics
- Approved to the European standards for 50N buoyancy aids, ISO 12402-5
- All of its raw materials are tested per ISO 12402-7 and ISO 12402-8 for higher strength, quality and durability
- Available in 4 sizes, in orange & black colour combination

Code	Type	Weight (kg)	Chest Size (cm)
71060	Child	25-40	65-80
71061	Adult	40-70	80-100
71062		70-90	100-110
71063		>90	110-125



# ISO Watersports Buoyancy Aids

**SLALOM**  
LALIZAS A



## Slalom Buoyancy Aid 50N, ISO

- Ideal for ski & jet ski
- Tighter and convenient fitting on the wearer due to its improved design
- It offers a new level of comfort and buoyancy
- Dual webbing fasteners and one top waist webbing fastener for total safety, plastic loop for keys, net holes for removing water and SOLAS Retroreflective Tapes (70180)
- Approved to the European standards for 50N buoyancy aids, ISO 12402-5
- All of its raw materials are tested per ISO 12402-7 and ISO 12402-8, for higher strength, quality and durability
- Available in 4 sizes, in blue & black colour combination

Code	Type	Weight (kg)	Chest Size (cm)
71064	Child	25-40	65-80
71065	Adult	40-70	80-100
71066		70-90	100-110
71067		>90	110-125



**Pro Race**  
LALIZAS A



## Pro Race Buoyancy Aid 50N, ISO

- Ideal for ski, jet ski, canoe kayak & sailing
- Designed as the ultimate high performance jacket
- Compact design, ideally suited for dinghy sailors, sport canoeists and windsurfers
- It features high-density soft PVC foam buoyancy, double sided velcro waist straps, side entry zip, a mesh front pocket and SOLAS Retroreflective Tapes (70180)
- The unique double velcro waist strap makes it fully adjustable to a variety of chest size users
- The elastic band shoulders make it to fit younger users
- Approved to the European standards for 50N buoyancy aids, ISO 12402-5
- All of its raw materials are tested per ISO 12402-7 & ISO 12402-8, for higher strength, quality and durability
- Available in 3 sizes in red and orange colour

● Code	71443	71444	71445
● Code	71446	71447	71448
Type	Child	Adult	
Weight (Kg)	25-40	40-70	>70
Chest size (cm)	65-80	80-100	100-130



Our unique double velcro waist strap makes the Pro Race series fully adjustable on users with different chest size



Pro Race buoyancy aid has elastic band shoulders, designed to fit younger users

# ISO Watersports Buoyancy Aids

## NEO



### Neo Buoyancy Aid 50N, ISO

- Ideal for ski & jet ski
- New design, made of neoprene fabric for tighter and stylish fit
- It offers a new level of comfort and buoyancy
- Two webbing moving fasteners for total safety, neoprene outer shell, plastic zip, net holes for removing water and SOLAS Retroreflective Tapes (70180)
- Approved to the European standards for 50N buoyancy aids, ISO 12402-5
- All of its raw materials are tested per ISO 12402-7 and ISO 12402 -8 for higher strength, quality and durability
- Available in 5 sizes, in white, red & black colour combination.

Code	Type	Weight (kg)	Chest Size (cm)
71068	Child	25-40	65-80
71069	Adult	40-50	80-90
71070		50-70	90-100
71071		70-90	110-120
71072		>90	120-130

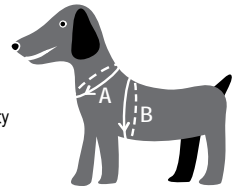


## Pet Buoyancy Aids



### Comfy Pet Buoyancy Aid

- Ideal for all water-related activities, offering the extra buoyancy your pet needs
- Lightweight and easily adjustable
- Durable grab handle for secure retrieval aboard
- Storage pocket for multiple uses
- Reflective edging for enhanced visibility
- Available in five sizes, from XS to XL, ensuring that there is one that fits your pet perfectly, being safe and comfortable at the same time
- Lightweight and easily adjustable
- Durable grab handle for secure retrieval aboard
- Storage pocket for multiple uses
- Reflective edging for enhanced visibility
- Available in five sizes, from XS to XL



Code	73573	73574	73575	73576	73577
Size	XS	S	M	L	XL
Weight (Kg)	up to 5	5-10	10-20	20-40	40-80
A Neckline (cm)	22-34	33-43	40-49	47-60	57-76
B Chest (cm)	25-45	43-63	61-80	77-103	91-113

### LALIZAS Pet Retriever Buoyancy Aid



- Foam construction buoyancy aid
- Features strong lifting loop to enable you to retrieve your pet
- Suitable for both dogs and cats
- Available in four sizes from extra small to large

Code	20020	20021	20022	20023
Weight (Kg)	< 8	8-15	15-40	> 40
Chest circumference min-max (cm)	25-48	30-60	43-84	46-95

# Lifesaving Lights



- Lifejacket Lights
- Lifebuoy Lights

# Lifejacket Lights

## LALIZAS Lifejacket LED Flashing Light "Alkalite II" ON-OFF Water-activated, SOLAS/MED/USCG

Original Size



Code | 72348



- Water-activated LED flashlight technology
- Extra powerful LED light: Offers lower consumption, longer life and operates automatically when it comes in contact with water
- ON-OFF button operation: To turn it ON-OFF when out of water
- Durable plastic body: 100% Waterproof via ultrasound welding & epoxy resin for extra safety
- Universal size clamp: Fits & locks easily in two moves with every 20 - 50 mm lifejacket belt, providing security & stability against sudden moves of panic
- Easy-to-read marking for instant inspection
- Alkaline battery: Ensures 5 year lifetime and more than 8 hours of continuous operation. Smoother and easier waste batteries management



## LALIZAS Lifejacket LED Flashing Light "Safelite IV" ON-OFF Water-activated, SOLAS/MED/USCG

Original Size



Code | 72349



- Water-activated LED flashlight technology
- Extra powerful LED light: Offers lower consumption, longer life and operates automatically when it comes in contact with water
- ON-OFF button operation: To turn it ON-OFF when out of water
- Durable plastic body: 100% Waterproof via ultrasound welding for extra safety
- Universal size clamp: Fits & locks easily in two moves with every 20 - 40 mm lifejacket belt, providing security & stability against sudden moves of panic
- Easy-to-read marking for instant inspection
- Lithium battery: Ensures 5 year lifetime and more than 8 hours of continuous operation. Better performance in extreme weather temperatures



### LALIZAS Lifejacket LED Flashing Light "Safelite IV" ON-OFF Water-activated, SOLAS/MED/USCG



Blister

Code | 723491

### Hole Puncher for 72348-49 Lights



Code | 71215

### Base for Lifejacket Flashing Light 72348



Code | 72543

### Base for Lifejacket Flashing Light 72349



Code | 71214





# Lifebuoy Lights

## LALIZAS Lifebuoy Light SOLAS/MED/USCG - ATEX/IECEx

LALIZAS Lifebuoy Light uses flashing light with LED technology and is designed to withstand the toughest rigours of the commercial and offshore sectors. It is completely watertight with a compact structure and designed to be tamper proof, corrosion resistant and to deliver, as a minimum standard, an omnidirectional over 2cd output for at least 2 hours. It is specifically designed to be highly resistant to accidental damage on board. Meeting full SOLAS and EC MED approvals, it is also approved to both ATEX and IECEx standards making it the only choice for hazardous installations such as offshore oil rigs, gas and oil tankers (for use in hazardous zones 0,1 and 2).



Code | 71326

### Specifications

- SOLAS/MED/USCG approved
- ATEX & IECEx Intrinsically Safe Approvals
- Intrinsically safe, for use in all potentially explosive zones
- Five-year lifetime
- No maintenance or replacement batteries are required
- Supplied complete with bracket & 1 m lifebuoy lanyard
- Compact size
- Mounting bracket with easy fitting in all locations
- Advanced LED technology for low consumption and enhanced reliability
- Also tested according UL913, Standard for Safety, Intrinsically Safe Apparatus and Associated Apparatus for use in Class I, II, III, Division 1, Hazardous (Classified) Locations.



## LALIZAS Lifebuoy Light SOLAS/MED/USCG

LALIZAS Lifebuoy Light uses flashing light with LED technology and is designed to withstand the toughest rigours of the commercial and offshore sectors. It is completely watertight with a compact structure and designed to be tamper proof, corrosion resistant and to deliver, as a minimum standard, an omnidirectional over 2cd output for at least 2 hours.



Code | 71325

### Specifications

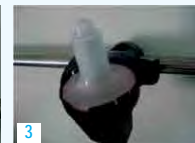
- SOLAS/MED/USCG approved
- Five-year lifetime
- No maintenance or replacement batteries are required
- Supplied complete with bracket & 1m Lifebuoy Lanyard
- Compact size
- Mounting bracket with easy fitting in all locations
- Advanced LED technology for low consumption and enhanced reliability



The holding base of 71325 & 71326 can be self-mounted or combined with the support bases of the Store-All cases

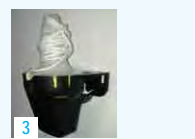
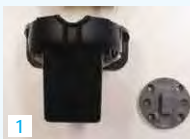
Rail Support Base for Store-All Cases - Graphite

Code | 99824



Fixed Mount Support Base for Store-All Cases - Graphite

Code | 99826



# MOB Systems



- Lifebuoy Rings
- Horseshoe Lifebuoys
- Lifesaving Apparatus
- Rescue Systems
- Safety Ladders
- Safety Harness & Jacklines
- Sea Anchors - Drogues
- Retroreflective Tapes

# Lifebuoy Rings

## LALIZAS Lifebuoy Ring, with SOLAS Retroreflective Tape

Designed for pleasure and commercial usage, features an orange, hard, cross-linked polyethylene outer shell that will not deteriorate and is unaffected by extreme weather conditions.



For a better effectiveness, combine the Lifebuoy Ring with the Floating Line (70260) and the SOLAS Lifebuoy Light (70030 / 71325-6 / 196482).

Code	70090	70110	700901	701101
Approval	SOLAS/MED		USCG SOLAS	
Weight (kg)	2.5	4	2.5	4
Drop Height (m)	80		80	

- Ext. Diameter: Ø 720 mm ± 10 mm
- Int. Diameter: Ø 440 mm ± 10 mm
- Height: 105 mm ± 10 mm

### Plastic Holder for Lifebuoy Ring, Set of 3pcs



Code | 01107

## LALIZAS Lifebuoy Ring GIOVE, SOLAS/MED

GIOVE



Code	Ø ext. (cm)	Ø int. (cm)	Height (cm)	Weight (kg)	Buoyancy (N)
38158	63	41	12	2.5	144

- With 4 Retroreflective Tapes SOLAS (70180) & 3 m grabline
- Polyethylene outer structure, filled with polyurethane foam
- Stowage height: Anywhere up to 30 m above the waterline



## SATURNO Lifebuoy Ring, Non-SOLAS

SATURNO



- Polyethylene structure
- Fitted with a 3m grabline

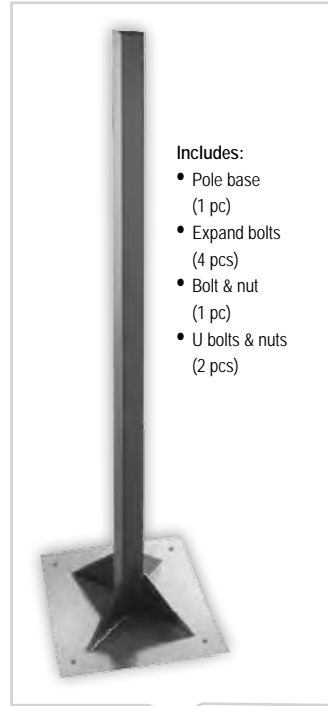
Code	Description	Ø ext. (cm)	Ø int. (cm)	Height (cm)	Weight (kg)	Buoyancy (N)
44666	Filled with polyurethane foam	57	35	9	1,3	88
12010	No foam-filling	57	35	9	0,9	91

# Lifebuoy Rings

## LALIZAS Lifebuoy Ring Case with Ring (70090) & 30 m Floating Rope



## LALIZAS Deck Pole Base for Lifebuoy Ring Case

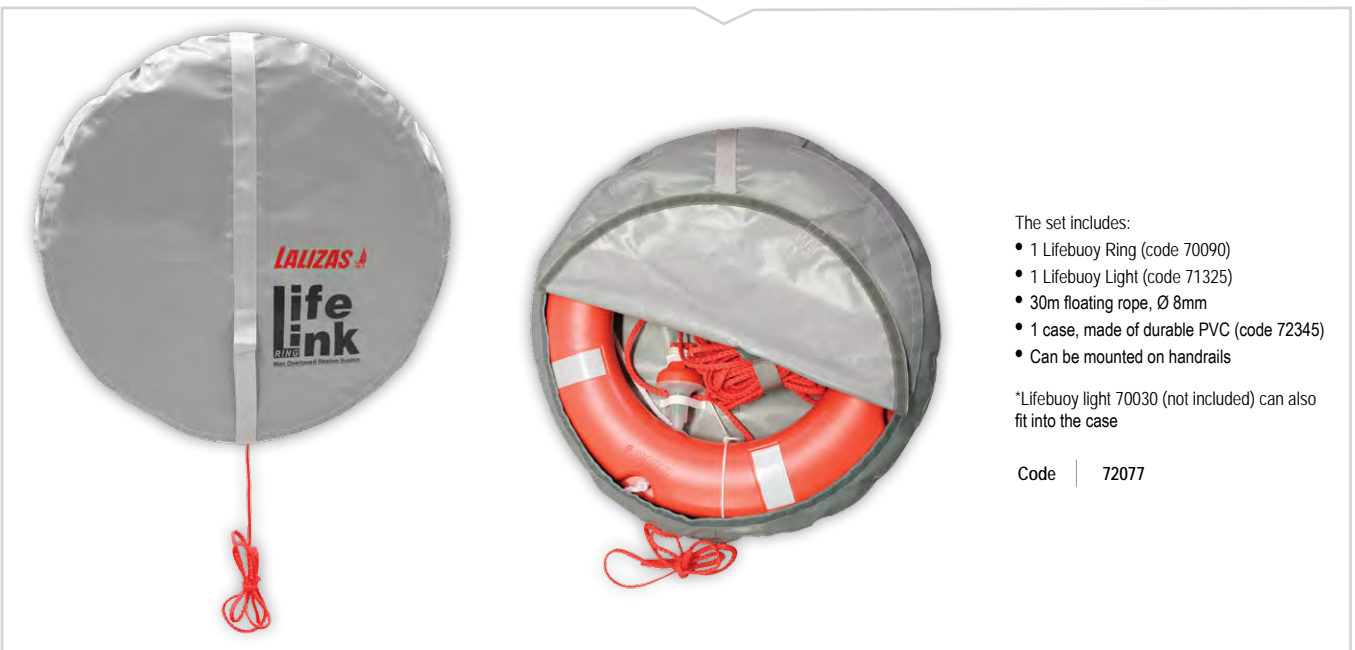


Code | 71286  
Base Dimensions: 30x30cm  
Pole Height: 150cm



Mounting Kit Included

## LALIZAS Lifebuoy Ring SOLAS 75cm, Lifebuoy Light 71325, 30m Rope, Gray Case, Set



Case for Set Lifebuoy Ring SOLAS 75cm, Lifebuoy Light 71325, 30m Rope, Grey

Code | 72345

# Lifebuoy Rings

## Lifebuoy Ring Container Standard



Code | 40212      Dimensions: 84 x 108 x 31 cm (H x W x Depth)

Please note that the container is supplied empty.  
A lifebuoy ring must be ordered separately.

## Container with Door for Lifebuoy Ring Ø 60 or 75 cm



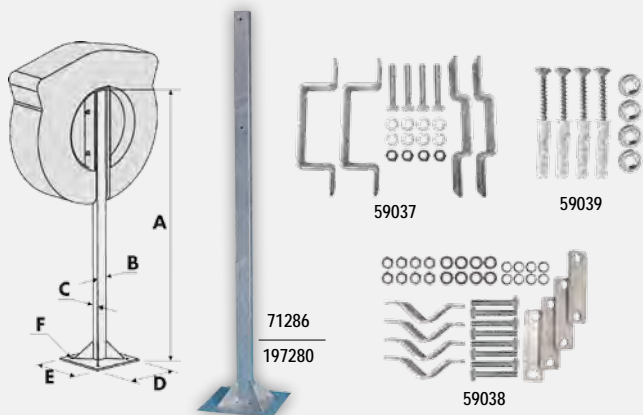
Code | 196992

It features a transparent round opening to check the presence of the lifebuoy. Dimensions: 90 x 90 x 22 cm (H x W x Depth)



Please note that the container is supplied empty.  
A lifebuoy ring must be ordered separately.

## Accessories for mounting



Description	Pole Kit for lifebuoy container		Mounting kit for rail	Wall mounting kit (bolts + screws)
	Pole	Mounting Kit For Pole		
For standard container model	71286		59038	59039
For container with door	197280	59037		

Code	Model	A (cm)	B (cm)	C (cm)	D (cm)	E (cm)	F (base hole diameter)
71286	Standard container	150	5,8	3,8	30	30	Ø 1,5 cm
197280	Container with door	200	10	5	30	30	2,5 x 1,4 cm (oblong hole)

## Lifebuoy Ring, No 45 with Rope



Code | 63219

Ext. Diam.: 420mm

Int. Diam.: 210mm

## Mooring Ring with 30m Rope Ø4mm



Code | 20693

Designed for the retrieval of MOB, the ring is moulded in PVC, weighing only 250gr and it is tied to a 30m floating rope.

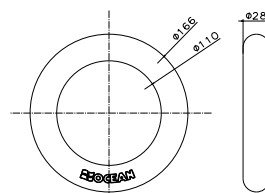
Ext. Diam.: 166 mm

Int. Diam.: 110 mm

## Mooring Ring, Ø166



Code | 72449



## Holder for Lifebuoy Ring & Light



Glass-reinforced plastic. Fits easily on any rail Ø 18 to 25 mm.



Code | 45185

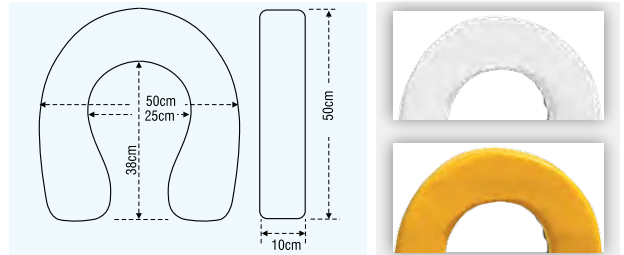
# Horseshoe Lifebuoys



## Horseshoe Lifebuoy "Basic I", 140N

- Offers personal floatation to seafarers in case of man overboard emergency
- Essential equipment for all boats, both yachts and motorboats
- Made of polyethylene foam in reinforced PVC case with flexible zipper and plastic fastening clip
- Simple to use
- Three different colours: white, yellow and orange

Code	20530	20540	20550
Colour	Orange	White	Yellow



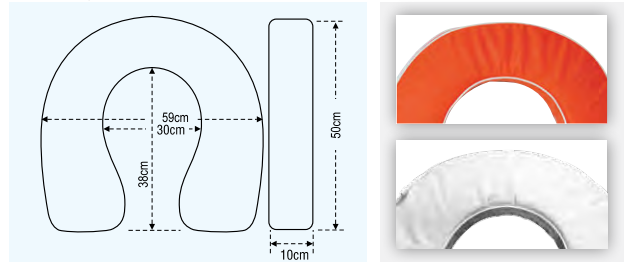
## Horseshoe Lifebuoy "Quick RD", 142N

- Made of polyester with PVC backing
- Waterproof, its fabric doesn't fade
- Highly resistant to UV radiation
- Features a flexible zipper cover and plastic hook fastening

Code	70162	70164	70165
Colour	Yellow	Orange	White

For storing this lifebuoy:

You can use the Horseshoe Bracket (20580), where the Lifebuoy Light M.O.B (70030) can be also mounted, while the "Quick Fit" Horseshoe Cases (70018 & 70019) are ideal for its storage.



Code | 72078

## Horseshoe Lifebuoy Case with "Quick RD" Orange (70164), Lifebuoy Light (71325) & 30 m Rope, Grey

The set includes:

- 1 Horseshoe Lifebuoy "Quick RD" (code 70164)
- 1 Lifebuoy Light (code 71325)
- 30 m floating rope, Ø 8 mm, orange
- 1 horseshoe case made of durable PVC (code 72330)
- Can be mounted on handrails

\*Lifebuoy Light 70030 (not included) can also fit into the case

## Horseshoe Case for "Quick RD", Grey

Code | 72330

# Horseshoe Lifebuoys

## Horseshoe Case "Quick Fit" for "Basic I"

- Suitable for storing the "Basic I" Horseshoe Lifebuoy
- Made of polyester fabric, with PVC backing
- Waterproof, protecting the lifebuoy from any weather conditions
- Features a quick velcro open – close system and straps for mounting the case on your boat's rails
- Its design allows you to store the lifebuoy light as well
- Available in white & yellow colour

Code	70018	70019
Colour	White	Yellow



## Horseshoe Bracket, Inox

- Can be easily installed on any kind of vessel
- Its fixing system allows horseshoe and lifebuoy light to be easily removed in case of emergency



Code | 20580

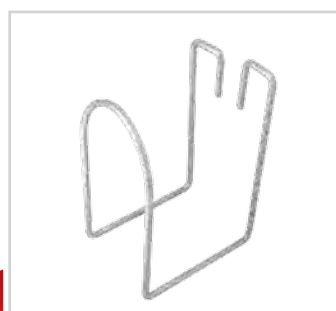
## Holder for Lifebuoy Ring/Horseshoe & Lifebuoy Light



- Ideal for placing and storing your lifebuoy ring or horseshoe
- It comes with a plastic holder, which makes it really easy to mount it on your boat's rails
- Made of stainless steel
- Comes with a small elastic stretch cord for keeping the ring or lifebuoy steady on the holder
- You can also store the lifebuoy light, since it features plastic clips on the base of the holder

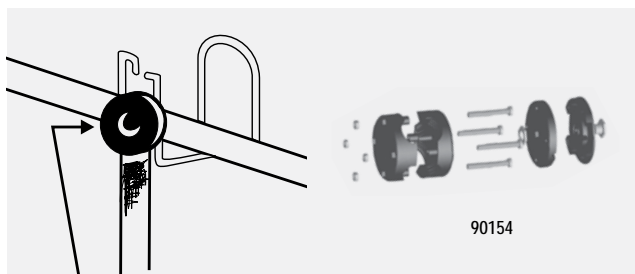
Code | 95733

## Holder for Ring or Horseshoe Lifebuoy



Code | 20707\*

\* The set of connector & rail mounts 90154 is not included



90154

## Connector, Parallel, for Fender Baskets, 2 pcs



Code | 90163

## Connector & Rail Support for Fender Baskets, Set



Code | 90154

## Rail Mount for Lifebuoy Light



Code | 20581



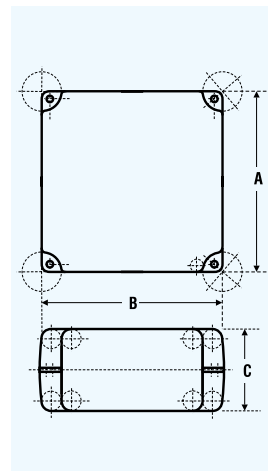
# Lifesaving Apparatus



## Lifesaving Apparatus

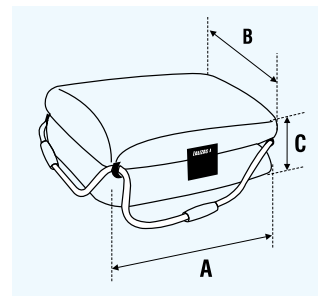
- For use on sail or motor boats
- Outer cover made of high strength polyethylene with an inner polystyrene filling
- Complete with all-round rope lifeline
- Available in 4, 8 and 12 person models
- High visibility orange
- Approved to EEP. Approval number: 4232/46/00

Code	70131	70133	70135
Persons	4	8	12
Volume (lt)	80	151	252
Weight (kg)	5	11	18
A (cm)	55	76	100
B (cm)	55	76	100
C (cm)	25	25	25



## Lifesaving Apparatus "Cushion Type"

- For use on sail or motor boats
- Made of a durable nylon outer shell and inner layers of polyethylene
- Complete with all round rope (lifeline)
- Lightweight
- Can be used as a seat cushion
- Available in 3, 4 and 6 person models
- High visibility orange
- Approved to EEP. Approval number: 4232/24/01



Code	70270	70271	70272
Persons	3	4	6
A (cm)	40	52	46
B (cm)	50	47	70
C (cm)	29	25	36

## DELFINO



## DELFINO Life float Foam filled with Retroreflective Tape

- It provides efficient buoyancy in case of shipwreck or Man Overboard, allowing the casualties to gather for easier survival and rescue
- Made of indestructible plastic material
- High density polyethylene, filled with polyurethane foam for buoyancy
- Fitted with retroreflective tape for added visibility
- Braided rope is reeved through reinforced eyelets at regular intervals (2, 3 or 4 eyelets on each side) to account for a larger number of persons grasping the rope
- Approved by the Italian Merchant Marine

Code	Persons	Length (mm)	Width (mm)	Height (mm)	Weight (kg)
195392	4	900	900	280	16
195393	8	900	900	280	16
195394	12	980	980	300	23

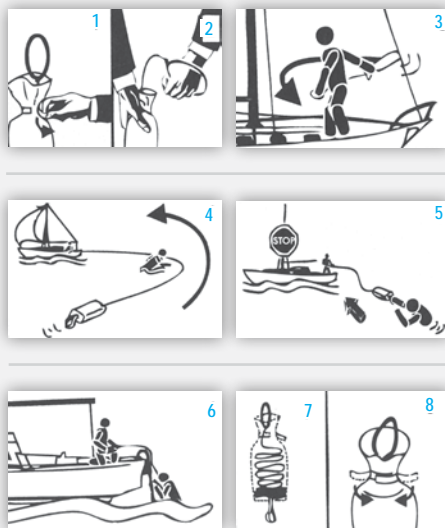
Approved by the Italian Merchant Marine    Made in Italy

# Rescue Systems

## LifeLink Throwing Line, with 23m Rope

- Ideal for sailing, boating, canoeing, rafting and getting a line ashore
- Can be used either in hand or attached to the rail for MOB retrieval
- Comes in a high visibility yellow bag with 23 m of floating line
- The smallest of the LifeLink MOB appliances offers maximum flexibility for storage
- Quick and easy to deploy

- Featuring a hand loop on top & an attachment loop at ends, it enables both the rescuer and casualty to be connected
- User instructions are printed on the reverse side of the bag
- The deployment loop has a PVC cover which aids grip and allows easy and quick rescue if required
- Can be used as a standard throwing sock or attached to the rail deployed and towed behind the vessel whilst circling the casualty



\*Attention, the product is provided without the stainless steel bracket.

## LifeLink Rescue Sling

- Used for MOB retrieval
- Designed to be permanently mounted onto the pushpit in its own soft, easy-to-clean PVC bag
- The kit contains 36 m of floating line attached to a sturdy buoyant PVC life-sling and a personal retaining clip for added safety
- Deployment is achieved by removing the LifeLink, attaching the floating line to a secure point and throwing it towards the man overboard

- Once in the water, the boat should circle the casualty allowing the LifeLink to be towed to their aid
- Rescue is completed when the casualty is safely clipped into the LifeLink winched to the boat and hauled on board
- Available in white and yellow colour

### Contents:

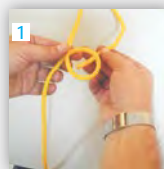
- Rail mounted PVC stowage bag
- 36m floating line
- LifeLink with webbing strap

### Features:

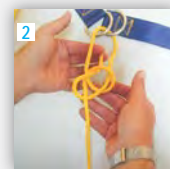
- Breaking strain of line > 200 kg
- Breaking strain of flotation belt > 700 kg



### How to retie the knot to the Life-Link



Put the line through both D-rings and hold steadily the short end. Make a loop with the long end and pass through it the short rope.



Then pass the same end under and around the long part and through the loop again

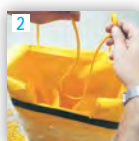


To fasten pull together from points A and B

### How to repack the LifeLink MOB



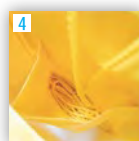
To repack the line: Leave 50cm of line outside the bag. Hold with your right hand.



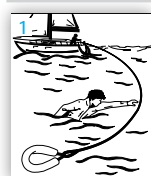
Measure another 50cm and fold the rope in two to create a "U" shape. Place the folded rope in the inside pocket of the bag.



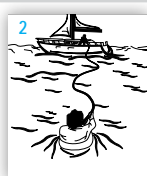
a) Holding the line going to the Life-Link with the right hand, start gathering it creating a zig-zag. The width of the zig-zag should be approx. 20cm.  
b) Continue in the same way, until enough line is collected in your hand.



Place this in the inside pocket gently. Repeat step 3 until all the line is gathered in the pocket in an orderly fashion.



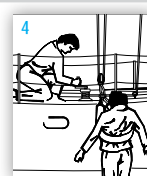
Deploy M.O.B. system astern circle casualty until contact is made.



Confirm casualty is secured in M.O.B. before rescue is attempted.



Winch casualty slowly to the boat.

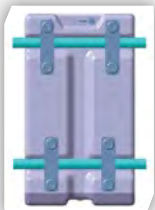


Haul casualty on board.

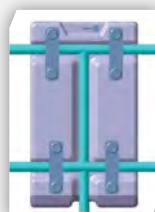
# Rescue Systems

## LifeLink MOB Danbuoy & Horseshoe, Grey

### Mounting on the rails



2 horizontal rails



Intersection of 2 horizontal rails with a vertical one

- The MOB items are automatically inflated after release & coming into contact with water
- Saving valuable stowage space
- Easy-to-fit MOB
- Rapid deployment in case of emergency
- Material HDPE with UV protection

- All metal components are stainless steel
- Created via rotomolding
- Distance between horizontal rails: 300 – 310 mm
- Service required after each use or 3 years after the manufacturing date by an authorised LALIZAS service station

Code | 73669

**Includes:**

- An HDPE durable case
- High visible inflatable Danbuoy assembled with LALIZAS Lifejacket LED Flashing Light water-activated "Safelite IV" SOLAS/MED/USCG
- High visible inflatable Horseshoe with LALIZAS Whistle (70010)
- Drogue
- The stainless steel parts for its placement onto boat rails

*Conforms to the ISAF Offshore Special Regulations*

Made in EU

## LALIZAS Encapsulated Lifebuoy Rescue Line, 30 m



- 30 m lifeline in plastic tube, which fits in LALIZAS lifebuoys
- Material: UV resistant polyethylene
- Dimensions: L 480 x W 130 x H 80 mm
- Weight: 950 gr
- Rope: Ø 8 mm, length 30 m
- Lifeline Breaking Load: 500 kg
- Compliance with SOLAS requirements

**Mounting Instructions**

**Instructions of use**



### CABO Floating Line, Orange

Code	Diameter (mm)	Length (m)	Strength (kg)
94801	6	30	320
70260	8	30	400

Material: Polyethylene



### CABO Floating Rope, Orange

Code	Diameter (mm)	Length (m)	Strength (kg)
98991	6	200	100
98992	8	200	260
98993	10	200	310

Material: Polyethylene

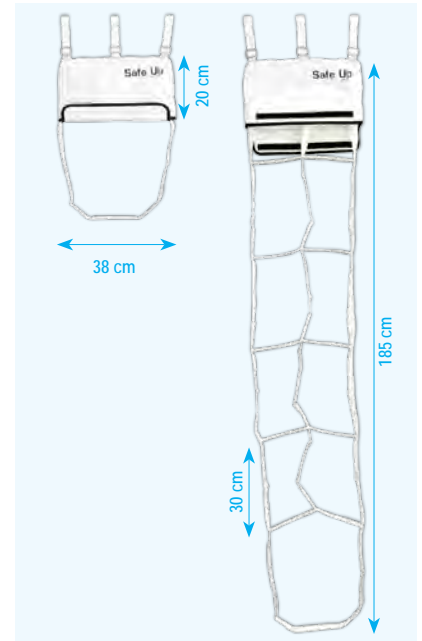
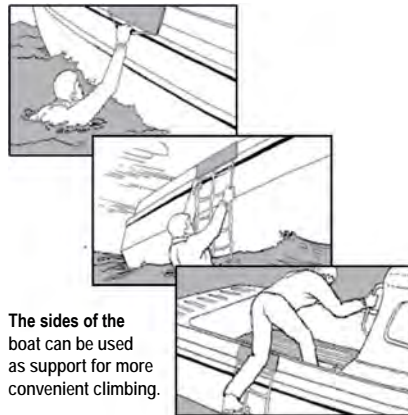
# Safety Ladders

## Safety Ladder "Safe Up", M.O.B, 5 steps

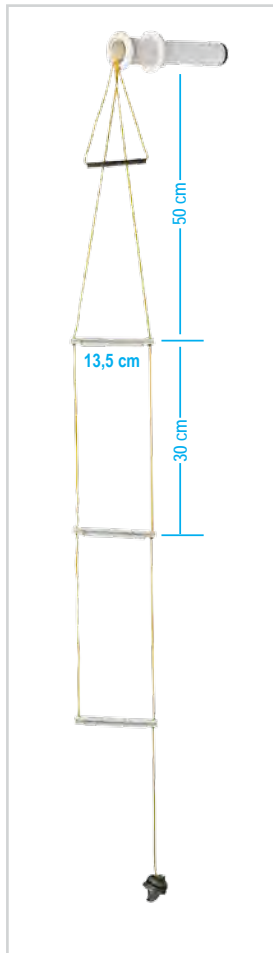
- A must-have MOB safety equipment for your boat
- Provides instant aid to an overboard crewmember in getting back on board
- The overboard crewmember only needs to grab & pull the handle in order to unfold instantly the fabric ladder and climb back on board safely
- It features 3 loops that can be fastened firmly on the rail of a boat and can be placed overboard
- When unfolded, it provides 5 steps with a steady foothold for the user to climb on board easily
- Lightweight
- Waterproof
- Made of durable fabric in order to withstand sunlight and harsh sea environment
- It can be repacked easily



- Dimensions when folded: Width 38 cm - Height 20 cm
- Dimensions when unfolded: Width 38 cm - Height 185 cm
- Case Fabric: 500D PVC & Polyester
- Webbing: Strong Polyester
- Weight limit: 507lbs (230kg)

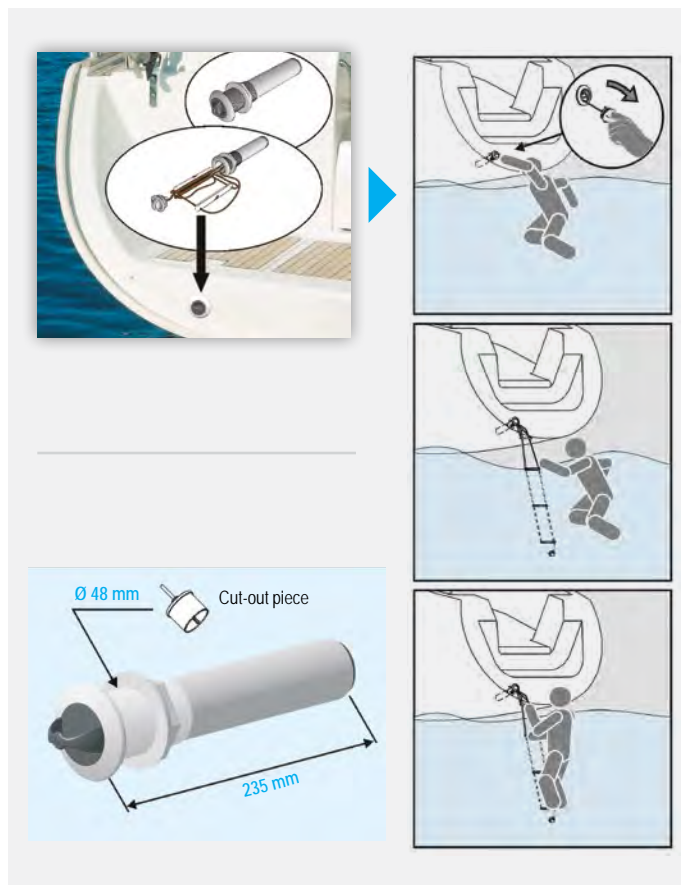


## Flushmount Safety Ladder



- It helps any crewmember get back easily on board without external help
- Suitable for frequent use (during your vacations) or in case of Man Over Board
- It consists of 3 polypropylene steps and 1 stainless steel handle assembled by a highly resistant line (bright yellow polyester of  $\varnothing$  3mm)
- It is stored in a polyamide tube with a grey polypropylene cap, for optimum protection and waterproofness
- The Man Over Board removes the cap, pulls the ladder down and climb on board
- Lightweight
- Easily flushmounted (like a thru-hull fitting)
- Transom or skirt mount (sail and power boats), just above waterline

Code | 51558



# Safety Harness & Jacklines

## Vesttype Safety Harness, with D-ring



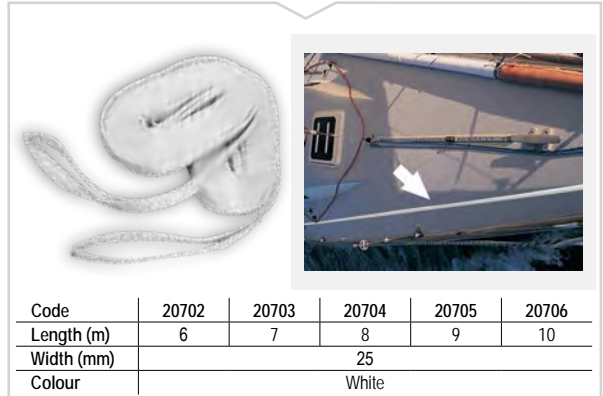
Code | 71152

Certified EN361



## LifeLink Safety Jacklines, Set (2 pcs)

- Provides you safety while on board without hindering your freedom of movement to a great extent
- Made of 25mm durable, UV-resistant polyester strap
- Features two loops to attach it to the boat
- Available in white colour and five sizes from 6m to 10m



Code	20702	20703	20704	20705	20706
Length (m)	6	7	8	9	10
Width (mm)	25				
Colour	White				

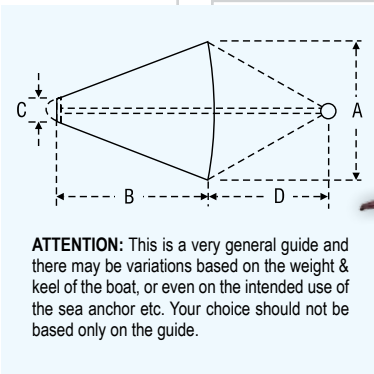
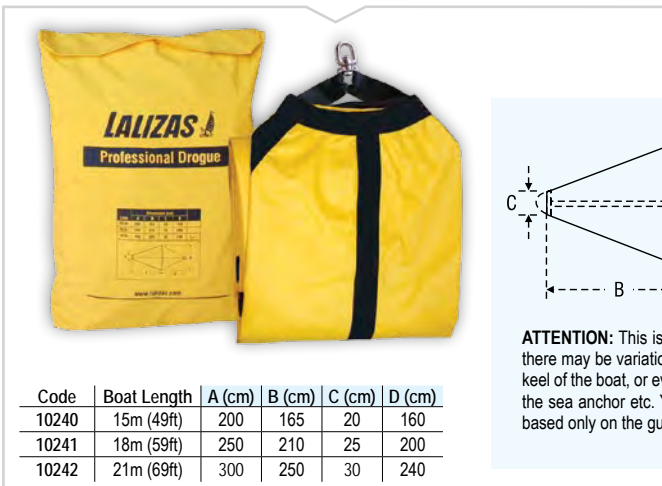
# Sea Anchors - Drogues

## Professional Sea Anchor (Drogue)

- Especially designed for use on large boats and under harsh conditions
- The fabric is 200D polyester coated on both sides with 0,45 mm PVC
- It is immensely strong using 40mm, UV-resistant webbing terminating on a 6 mm x 60 mm Inox connecting ring
- All drogues are supplied in a hardy and durable yellow safety stowage bag
- Available in different sizes

## Sea Anchor (Drogue)

- Designed to reduce the speed of the ship, slow down the drift, stabilize the hull, reduce the swing frequency, and effectively reduce the water drift effect of the hull
- Suitable for power boats, sail boats, inflatable boat, jet skis, kayaks as sea brake or sea anchor
- Ideal for fishing
- PVC strong coated with continuous inside webbing for added strength and durability
- Easy to deploy and to retrieve, without tangling and spinning
- With portable and compact design, it dries quickly and stores compactly
- Weighted bottom and automatic opening
- Available in 5 sizes
- Packed with harness buoy



Code	Boat Length	A (cm)	B (cm)	C (cm)	D (cm)
10071	4,5m (15ft)	50	55	8	64
10072	6m (20ft)	65	75	10	70
10073	7,5m (25ft)	125	125	17	125
10074	9m (30ft)	135	142	20	125
10075	13,5m (45ft)	190	145	20	130

# Retroreflective Tapes

## Retroreflective Tapes ORALITE, SOLAS, 5 x 10cm, Set (6pcs)

Retroreflective tapes retail pack to SOLAS (L.S.A Code). 6pcs of 10cmx5cm self-adhesive strips per pack. May be sewn.



Code | 70190

## Retroreflective Tape ORALITE, SOLAS & USCG, 40m Roll



Code | 70180

- High performance micro prismatic tape
- Permanently marked with ships wheel logo for immediate compliance identification
- Single layer construction for durability, abrasion resistance and flexibility
- No risk of water penetration
- Complies with SOLAS and the IMO LSA Code
- Tested in accordance with IMO Resolution A.658 (16) for Type I applications
- Approved by the US Coast Guard and Bureau Veritas
- Vinyl construction designed for inflatable devices and use in harsh maritime environments
- Length 40 m, width 50mm

# Breathing Apparatus



# Breathing Apparatus

## LALIZAS Self Contained Breathing Apparatus / SCBA, SOLAS/MED



LALIZAS SOLAS/MED Self Contained Breathing Apparatus is a high-performance breathing apparatus, designed to offer maximum respiratory protection to the user during entrance or escape from a hazardous environment. This SOLAS/MED approved SCBA offers reliability and comfort and its key features are:

- Open circuit on demand positive pressure Self Contained Breathing Apparatus
- Anatomic carbon fibers composite material back frame with harness for perfect and easy donning
- Both back frame and harness are flame retardant, waterproof and antistatic
- With manometer and whistle (>90Db) warning the user that the air is dropping down below 50bar

It is available in two versions:

- With a 6L cylinder (steel)
- With a 9L cylinder (carbon composite)

The SCBA contains the following parts:

- Breathing apparatus carrier with harness
- Pressure regulator with manometer & whistle
- Pressure & air flow regulator
- Breathing apparatus facemask
- Compressed air cylinder with EU Standard Valve G5/8" thread

Packed in heavy-duty plastic carrying suitcase



Code	Cylinder Volume (L)	Cylinder Material	Working Pressure (Bar)	Warning Pressure (Bar)	Weight (kg)	Packing Dimensions (cm)	Approval
71327	6	Steel	300	50-60	≤15	270x490x755	SOLAS/MED
71328	9	Carbon Composite	300	50-60	≤12	280x445x735	SOLAS/MED



Spare Compressed Air Cylinder 6lt & Valve 300bar Assembly with Air

Code | 02302



Spare Compressed Air Cylinder 9lt & Valve 300bar Assembly with Air

Code | 02303

## LALIZAS Emergency Evacuation Breathing Device / EEBD "ESCAPE-15", SOLAS/MED

LALIZAS Emergency Escape Breathing Device (EEBD) ESCAPE-15 complies with the amended SOLAS ch.II-2 and the IMO MSC/Circ.849. All ships on international routes must carry EEBDs on board.

### Accessories

#### Wall Bracket for EEBD



Code | 01623

#### Plastic Cover for EEBD



Code | 01622



Code	70321
Volume	14300cm <sup>3</sup>
Weight	6150gr
Height	22cm
Width	13cm
Length	50cm

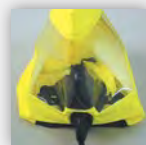


#### Characteristics:

- Full-face hood universal size, suitable for every face shape
- 15 min. steady air-flow with sufficient air-delivery rate
- Flame resistant

- Activated with a single move
- Easy visual access on the pressure gauge
- Durable & reliable construction with low maintenance

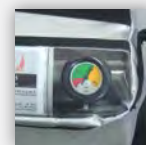
- Silver colour to reflect heat and be highly visible
- Easy to refill cylinder (no adaptor required)
- Working temperature range: -10°C to 65°C



- Ozone resistant
- Non irritant neck seal
- Wide visor
- Non irritant
- Antimisting design for the visor



- Automatic activating valve - regulator
- Valve features G 5/8" F standard charging connector
- Pull valve safety lock



- Shock proof - antiblast pressure gauge
- Coloured so as to have easy readings for duration
- Over pressure - internal pressure of the cylinder

# Fire Fighting Equipment



- Fireman's Suit
- Fire Fighting Accessories
- Fire Extinguishers
- Fire Hoses & Relevant Equipment
- Fire Blanket

Photo by Bjorn Nielsen on Unsplash



# Fireman's Suit

## LALIZAS Antipiros Fireman's Suit Set, SOLAS/MED



The complete set includes SOLAS/MED approved:

- Jacket & trousers
- Helmet (1 pc)
- Boots (1 pair)
- Gloves (1 pair)

All the above are provided in a Carrying Bag

Code	Size
74302	L
74303	XL

## LALIZAS Antipiros Fireman's Jacket & Trousers, SOLAS/MED

Superior quality Nomex navy blue jacket & trousers made of four different layers for excellent fire protection & endurance. Nomex/ Kevlar material features higher protection from direct fire and exposure to a high temperature as it absorbs the heat.

- Widening straps and connecting hooks
- Front overlapping with touch and close fastening to the front collar
- Flame retardant and abrasion resistant reinforced patches on knees and elbows
- 3M reflective stripes on jacket and trousers
- Stand up collar
- Radio & flashlight pocket, jacket and trousers pockets
- Cuff with rib thumb hole
- DRD lifesaving drag belt
- Metal compartments for straps fastening

**Specified Testing Standards:**  
EN 469, AC (XS2XR2Y2Z2) & EN ISO 13688

Code	Size
74298	L
74299	XL




## LALIZAS Antipiros Fireman's Gloves, SOLAS/MED

- Four different layers for extra protection provide thermal, chemical, penetration and cut protection
- Ergonomic design facilitates firefighting works execution
- Reflective stripes for visibility

**Specified Testing Standards:** EN659 & A1



Code	Size
74301	L-XL



## Fireman's Helmet, SOLAS/MED

Provides high level of protection, simple in use and extremely lightweight

- Interior padding easily replaceable and washable
- Integrated adjustment system (52–64 cm)
- "Push to release" button
- Anti-scratch and anti-fog coated external visor
- Reflective tape
- Neck protector (aluminised fibre)
- 3-point chinstrap
- Electrical insulation capacity E2
- Chemical resistance
- Extreme temperature resistance (up to 1,000°C in a 10 second flash over flames)
- Long-term temperature resistance (radiant heat test 14 kW/m2)
- High resistance to mechanical impacts
- Low-temperature classification -30°C



Code | 72249



**Specified Testing Standards:** EN 443 & EN14458

## Fireman's Boots, SOLAS/MED

Recommended for structural fire fighting, general fire rescue & bush fire fighting. Made of Vulcanized Rubber (upper part and sole) and woven cotton canvas for extra comfort.

**Sole/Heel**

- Flame-retardant rubber outsole
- Fuel oil resistant
- Slip-resistant
- Excellent abrasion resistance
- Catered to enter high temperature
- Cold insulation
- Steel midsole

**Upper construction**

- Flame-retardant upper part with heat insulation
- Waterproof
- High visibility with black and yellow contrast
- Acids and alkalis resistant
- Metal toecap



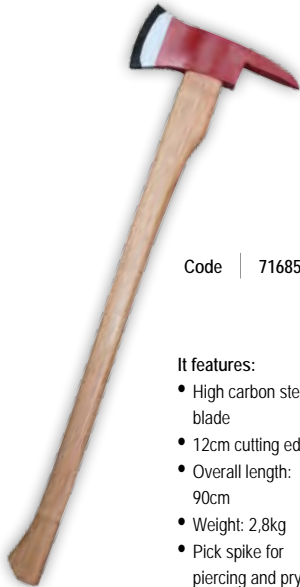

Code	Size
73667	43-44
74297	45-46

**Specified Testing Standards:** EN 15090 & EN ISO 20345  
**Other Approvals:** AS/NZS 4821 & CSA Z195-09 / ASTM F 2413-11

# Fire Fighting Accessories

## LALIZAS Fireman Axe with Long Wooden Handle 2,8kg

This long fireman's axe is the ideal tool for demolition work.



Code | 71685

### It features:

- High carbon steel blade
- 12cm cutting edge
- Overall length: 90cm
- Weight: 2,8kg
- Pick spike for piercing and prying
- Wooden ash handle
- Rubber protective blade cover

## LALIZAS Fireman Axe with Short Anti Slip Handle 1,2kg

This short fireman's axe provides heavy-duty chopping power to gain access to locked doors and hollow walls during an emergency.



Code | 71686

### It features:

- High carbon steel blade
- 9cm cutting edge
- Overall length: 34cm
- Weight: 1,2kg
- Pick spike for piercing and prying
- Anti-slip handle
- Rubber protective blade cover

## LALIZAS Holster for Fireman Axe

Synthetic leather cover for carrying a fireman axe safely on the belt.



Code | 74584

- No restriction on movements
- Made out of one piece of leather, which reduces seams
- Solid metal rivets placed to hold the holster together
- Metal snap for easy on/off action
- Fits perfectly LALIZAS Fireman Axe with Short Anti Slip Handle 1,2kg (code 71686)
- Can be attached to Fireman Belt, with Restraint Lanyard, M-XL (85-120cm), EN358, CE (code 74583) or Fireman Belt, Heavy Duty, with Safety Line L0,9m, CE (code 74582)



## Lifeline, Fireproof with Hook, 5mmx30m, SOLAS/MED

Code | 72707

## Fireman Belt, Heavy Duty, with Safety Line L0,9m

The fire brigade belt is a supplement equipment preventing falls from height and is used to protect during work.

Designed for a user, including holding tools and equipment, with a weight up to 150 kg.

- Heat resistant strap
- Leather reinforcement on strap
- Side attachment D-ring
- Connector AZ900
- Detachable safety line
- Safety line leather sleeve protection
- Belt regulating/ connecting buckle
- Connector-snap hook
- Identification label
- Weight: 860 g
- Width: 85mm
- Size: M-XL
- Waistline circumference: 86-106 cm



Code | 74582



## Fireman Belt with Restraint Lanyard

Fireman work positioning belt suitable for a user, including holding tools and equipment, with a weight up to 140kg.

The belt is intended to prevent the user from a free fall, by connecting the user to an anchor point or to a structure, with the lanyard encircled, and thus supporting the user in tension.

Code | 74583

- Ergonomic padding
- Automatic connecting buckles
- Side attachment restraint lanyard
- Restraint lanyard connector
- Lateral work positioning attachment D-rings (EN 358)
- Tool D-rings for hand tool weights up to 2kg
- Identification label
- Size: M-XL/ Waistline circumference: 85-120 cm



Specified Testing Standards: EN 358



# Fire Extinguishers

## LALIZAS Fire Extinguishers

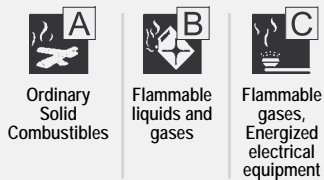
LALIZAS range of portable Fire Extinguishers, specially designed for the marine sector, provides additional protection from environmental induce, high fire protection effectiveness due to reinforced extinguishing ability and simplicity in application.

### Other features:

- Large diameter of the safety pin ensures an easy grip even with work gloves
- Shock-proof pressure gauge facilitates accurate indication of pressure status
- Seamless cylinder production technology facilitates avoidance of weakening points, enhances tightness and pressure resistance
- Easy to use



Code / Language Label	EN, IT, GR	704431	704441	704451	704461	400691	474621	499521
	EN, ES, HR	704432	704442	704452	704462	400692	474622	499522
	EN, FR, DE	704433	704443	704453	704463	400693	474623	499523
Technical Data	Capacity	1 kg	2 kg	3 kg	6 kg	9 kg	9 L	5 kg
	Extinguishing agent	Dry Powder	Dry Powder	Dry Powder	Dry Powder	Dry Powder	Foam	CO <sub>2</sub>
	Body	Aluminium alloy	Aluminium alloy	Steel	Steel	Steel	Aluminium alloy	Steel
	Fire Ratings	5A 34B C	13A 89B C	13A 89B C	34A 233B C	43A 233B C	27A 233B	89B
	Dimensions (mm)	82X295	108X378	130X385	160X520	190X545	180X615	136X743
	Weight (kg)	1,26	2,55	4,60	8,60	12,50	11,50	13,90
Accessories	Special Features	Corrosion resistant shock-proof pressure gauge	Corrosion resistant shock-proof pressure gauge	Corrosion resistant shock-proof pressure gauge	Corrosion resistant reinforced rubber hose	Corrosion resistant shock-proof pressure gauge	Corrosion resistant	Corrosion resistant brass valve with bursting disk
	Base	Plastic bracket for vehicle & marine use	Plastic bracket for vehicle & marine use	Stainless steel wire bracket, mounting in horizontal or vertical position	Wall bracket for vertical mounting	Wall bracket for vertical mounting	Wall bracket for vertical mounting	Wall bracket for vertical mounting
Nozzle				Hose & nozzle	Rubber hose, nozzle	Spray nozzle	Rubber hose & polyamide horn	



Fire Extinguisher Type	Type of Fire				
	Solids (wood, paper, cloth, etc.)	Flammable Liquids	Flammable Gases	Electrical Equipment	Oil & Fats
Dry Powder	✓	✓	✓	✓	✓
Foam	✓	✓	✗	✗	✓
CO <sub>2</sub>	✗	✓	✗	✓	✓

## Marine Brackets for LALIZAS Fire Extinguishers

With unique design which facilitates the fire extinguisher to stay steady even in harsh sea conditions.

- Heavy duty (made of metal components)
- Suitable for vertical mounting
- Easy to install
- Includes adjustable stainless steel belt for extra security & quick release

Code	For LALIZAS Fire Extinguishers	Cylinder Diameter (mm)
73646	Dry Powder 6kg	160
73647	Dry Powder 9kg	190
73648	Foam 9lt	180
73649	CO <sub>2</sub> 5kg	136



# Fire Hoses & Relevant Equipment

## LALIZAS Fire Hose with Coupling



Code	Inner Diam (inch/mm)	Coupling	Length (m)	SOLAS/MED approved
71698	1,5"/ 38	Storz 38 Brass	15	Yes
71699	1,5"/ 38	Storz 38 Brass	20	Yes
72499	1,5"/ 38	Storz 38 Brass	25	Yes
71705	2" / 52	Storz 50 Brass	15	Yes
71706	2" / 52	Storz 50 Brass	20	Yes
71707	2" / 52	Storz 50 Brass	25	Yes
74460	2" / 52	Storz 50 Brass	30	Yes
71711	2,5" / 64	Storz 65 Brass	15	Not applicable
71712	2,5" / 64	Storz 65 Brass	20	Not applicable
71713	2,5" / 64	Storz 65 Brass	25	Not applicable
74461	2,5" / 64	Storz 65 Brass	30	Not applicable
72500	1,5"/ 38	Nakajima 38 Brass	15	Yes
72501	1,5"/ 38	Nakajima 38 Brass	20	Yes
72502	1,5"/ 38	Nakajima 38 Brass	25	Yes
72503	2" / 52	Nakajima 50 Brass	15	Yes
72504	2" / 52	Nakajima 50 Brass	20	Yes
72505	2" / 52	Nakajima 50 Brass	25	Yes
74462	2" / 52	Nakajima 50 Brass	30	Yes
72506	2,5" / 64	Nakajima 65 Brass	15	Not applicable
72507	2,5" / 64	Nakajima 65 Brass	20	Not applicable
72508	2,5" / 64	Nakajima 65 Brass	25	Not applicable
74463	2,5" / 64	Nakajima 65 Brass	30	Not applicable

Code	Inner Diam (inch/mm)	Coupling	Length (m)	SOLAS/MED approved
74464	1,5"/ 38	Barcelona 45 Aluminium	15	Yes
74465	1,5"/ 38	Barcelona 45 Aluminium	20	Yes
74466	1,5"/ 38	Barcelona 45 Aluminium	25	Yes
74467	1 3/4" / 45	Barcelona 45 Aluminium	15	Yes
74468	1 3/4" / 45	Barcelona 45 Aluminium	20	Yes
74469	1 3/4" / 45	Barcelona 45 Aluminium	25	Yes
74470	1 3/4" / 45	Barcelona 45 Aluminium	30	Yes
74471	2" / 52	Barcelona 70 Aluminium	15	Yes
74472	2" / 52	Barcelona 70 Aluminium	20	Yes
74473	2" / 52	Barcelona 70 Aluminium	25	Yes
74474	2" / 52	Barcelona 70 Aluminium	30	Yes
74475	2,5" / 64	Barcelona 70 Aluminium	15	Not applicable
74476	2,5" / 64	Barcelona 70 Aluminium	20	Not applicable
74477	2,5" / 64	Barcelona 70 Aluminium	25	Not applicable
74478	2,5" / 64	Barcelona 70 Aluminium	30	Not applicable
74479	1 3/4" / 45	UNI 45 Brass	15	Yes
74480	1 3/4" / 45	UNI 45 Brass	20	Yes
74481	1 3/4" / 45	UNI 45 Brass	25	Yes
74482	1 3/4" / 45	UNI 45 Brass	30	Yes

## LALIZAS Fire Hose



Code	Inner Diam (inch/mm)	Length (m)	SOLAS/MED approved
74485	1 3/4" / 45	15	Yes
74486	1 3/4" / 45	20	Yes
74487	1 3/4" / 45	25	Yes
74488	1 3/4" / 45	30	Yes
72509	1,5"/ 38	15	Yes
72510	1,5"/ 38	20	Yes

Code	Inner Diam (inch/mm)	Length (m)	SOLAS/MED approved
72511	1,5"/ 38	25	Yes
72512	2" / 52	15	Yes
72513	2" / 52	20	Yes
72514	2" / 52	25	Yes
74484	2" / 52	60	Yes

Code	Inner Diam (inch/mm)	Length (m)	SOLAS/MED approved
72515	2,5" / 64	15	Not applicable
72516	2,5" / 64	20	Not applicable
72517	2,5" / 64	25	Not applicable
74483	2,5" / 64	60	Not applicable

## LALIZAS Fire Hose Couplings

Storz



Code	Coupling
72518	Storz 38 brass
72520	Storz 50 brass
72522	Storz 65 brass

Nakajima



Code	Coupling
72519	Nakajima 38 brass
72521	Nakajima 50 brass
72523	Nakajima 65 brass

Barcelona



Code	Coupling
74490	Barcelona 45 tail 1 3/4" Aluminium
74491	Barcelona 45 tail 1 1/2" Aluminium
74492	Barcelona 70 tail 1 1/2" Aluminium

UNI



Code	Coupling
74489	UNI 45 Brass

## LALIZAS Fog Nozzle 3 position

Storz



Code	Fog Nozzle
72524	Storz 38 brass
72526	Storz 50 brass
72528	Storz 65 brass
72525	Nakajima 38 brass
72527	Nakajima 50 brass
72529	Nakajima 65 brass
74513	UNI DN 45

Nakajima



## Blank Cap & Chain

Storz



Nakajima



Barcelona



Code	Blank Cap
74502	Storz 1 1/2" Brass
74503	Storz 2" Brass
74504	Storz 2 1/2" brass
74505	Nakajima 1 1/2" Brass
74506	Nakajima 2" Brass
74507	Nakajima 2 1/2" brass
74508	Barcelona 45 Aluminium
74509	Barcelona 70 Aluminium
74510	UNI 45 Brass

## Fire Blanket



### LALIZAS Fire Blanket in a PVC Case

The fire blankets are essential in high-risk areas, such as the kitchen. The offered models are 100x100cm and 120x180cm and supplied in a rigid case, with instructions printed on the top. In accordance to EN 1869.

Code	Dimension (cm)
70448	100x100
71298	120x180

\* silicone coated

# Immersion Suits



# Immersion Suits

## LALIZAS Immersion Suit "Neptune", Insulated, SOLAS/MED

- Exceeds the latest SOLAS specifications for hypothermia protection
- Ideal for use on board ferries, offshore drilling rigs, rescue boats, man-overboard boats and for general commercial use
- Protects you in situations where the danger of hypothermia is great, increasing your chances of survival
- Made of reinforced neoprene material (5mm thickness)
- Ergonomic design
- Thermally insulated
- Diesel, oil & flame resistant
- Successfully submitted to water ingress, jump & leak tests
- Easy & quick donning
- Should be worn in conjunction with an approved lifejacket



### Features:

- A face seal and flap
- 3-finger gloves
- Front waterproof zipper ankle cuffs
- Neoprene pocket
- SOLAS Retroreflective Tapes (70180)

### LALIZAS Immersion Suit "Neptune", Insulated, with Neoprene Gloves, SOLAS/MED

Code	72745	70454	70455
Size	Small	Universal Size	XLarge
Height Range (cm)	140-160	160-190	190-210
Weight Range (kg)	40-80	55-95	85-130

\*With rubber gloves



Certified to HSE Compatibility Test protocol for Lifejackets and Immersion suits on offshore installations

### LALIZAS Immersion Suit "Neptune", Insulated, with Rubber Gloves, SOLAS/MED\*

Code	72746	70457	72747
Size	Small	Universal Size	XLarge
Height Range (cm)	140-160	160-190	190-210
Weight Range (kg)	40-80	55-95	85-130



## LALIZAS Inspection Device for Immersion Suit

The aluminium kit contains a set of Servicing Equipment:

- Face fixture (2 pcs)
- Pressure gauge (0-6kPa)
- Foot pump (with multi-valve adaptor)
- Glue and applicator (2 pcs)
- Neoprene patches

MSC /Circ.1047, MSC /Circ. 1114

Code | 70168

# Polar Survival Equipment



LALIZAS PSK (Personal Survival Kit)  
LALIZAS GSK (Group Survival Kit) for 6 persons

# Polar Survival Equipment

## LALIZAS PSK (Personal Survival Kit)

LALIZAS Personal Survival Kit (PSK) is based on the sample content outlined in the Polar Code (IMO Resolution MSC.385(94)), PART I-B paragraph 9.1. It consists of equipment capable of performing in a polar environment. Additional equipment can be added upon request. The bag has two shoulder straps allowing the user to carry it securely on the wearer's back.

The equipment is delivered in a red heavy-duty, and watertight bag with waterproof zipper.

Code	Weight (kg)	Dimensions (cm)
72496	6.8 ±0,2	30 x 32 x 50

### Packing details:

All items are packed into the RED Personal Survival Bag. The vacuum packed items are compressed into vacuum bags to save space. Once all items are packed within the carry bag, different ways of carriage are offered, such as lifting by hand or carrying on the back.



Photo	Description	Quantity	Code
	Top long sleeve, thermal, size XL	1 Piece	73000
	Trousers long w/fly, thermal, size XL	1 Piece	73001
	Gloves, thermal liner inner, size XL	1 Pair	73002
	Mittens, thermal, size XL	1 Pair	73003
	Socks, inner liner, thermal, size XL (45-47)	1 Pair	73004
	Beanie hat, thermal, one size	1 Piece	73005
	Balaclava, one size	1 Piece	73006
	Set of Jacket w/ Salopettes, insulating, size XL	1 Set	73007
	Vacuum Bag, dim 70x100cm, transparent (for packing 73000-73007 items)	1 Piece	73008
	Survival Boots, size 44 or 46	1 Pair	73009 (size 44) or 73010 (size 46)

Photo	Description	Quantity	Code
	Plastic Mugs	2 Pieces	73011
	Pure Petroleum Jelly, 50 ml	2 Pieces	73012
	LALIZAS Thermal Protective Aid "Alusafe-T" - LSA Code	1 Piece	70461
	Ski Goggles, adult, black frame, colourful lens	1 Piece	73013
	LALIZAS Nautical Whistle, in orange	1 Piece	70020
	Survival Guide	1 Piece	72726
	LALIZAS Liferaft Food Ration, 0,5 kg	1 Piece	57070
	Marine multi-function tool, red	1 Piece	10200
	LALIZAS PSK bag 40lt, waterproof, red	1 Piece	73014

The pictures shown are for illustration purpose only. Specific content (colour, brand etc.) may vary.



# Polar Survival Equipment

## LALIZAS GSK (Group Survival Kit) for 6 persons

LALIZAS Group Survival Kit (GSK) is based on content outlined in the Polar Code (IMO Resolution MSC.385(94), PART I-B paragraph 9.1.

The bag has 4 webbing handles on the top so it can be carried by more than 1 person. The bag has also a webbing loop and reinforced bottom area in order to be easily carried or pulled onto the ice surface. The spare (Personal Survival Kit) is included in the GSK bag, as indicated in the following table, but may be removed and carried separately as well.



The equipment is delivered in a red heavy-duty waightight bag with waterproof zipper.

Code	Weight	Dimensions
72495	39 ±0,4kg	105 x 58 x 45cm

Photo	Description	Quantity	Code
	Water, 2L Container	3 pieces	73015
	Signalling Mirror 7X7cm	1 Pieces	56570
	Flashlight, 5 LEDs, 4 AA (the 4 pcs of alkaline batteries are included)	1 Pieces	70012
	LALIZAS Nautical Whistle - orange	1 Pieces	70020
	LALIZAS Thermal Protective Aid "Alusafe-T" - LSA Code	6 Pieces	70461
	LALIZAS Emergency Liferaft Food Ration 0,5 kg	18 Pieces	57070
	LALIZAS Personal Survival Kit	1 Set	72496
	6 person tent, extreme conditions -20°C	1 Pieces	72717
	Sleeping Bag, extreme conditions -20°C, w75x210cm	3 pieces	72718

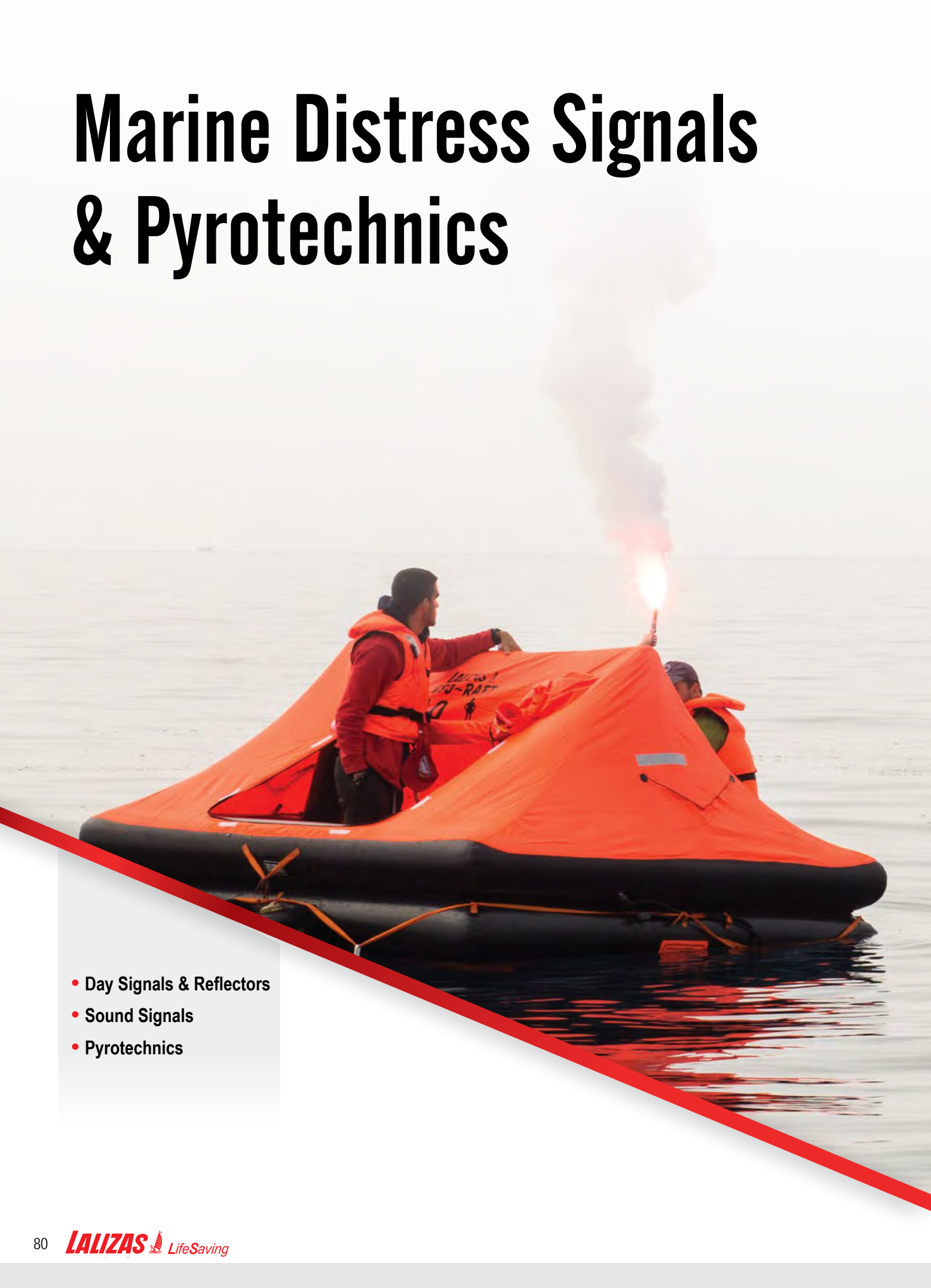
Photo	Description	Quantity	Code
	Sleeping Mat, thermal, silver	3 pieces	72719
	now Shovel, foldable, aluminum	3 pieces	72720
	Kit w/ Stove Cans, fire ball	1 Set	72721
	**Fuel	1 Pieces	73017
	**Matches, windproof and waterproof	2 Pieces	72722
	**Purification Tablets, quick Aqua Clean	1 Pieces	72723
	Toilet Paper	12 Pieces	73016
	**Hydroalcoholic Gel 100 ml	3 pieces	72724
	LALIZAS Carry Bag GSK, waterproof, red	1 Piece	72730

\*\* The goods are not included in the standard package because of dangerous goods regulations' limitations.

If the \*\* goods (fuel, matches, purification tablets, hydroalcoholic gel) are desired to standard GSK code, then please kindly inform us upon order placement.

The pictures shown are for illustration purpose only. Specific content (colour, brand etc.) may vary.

# Marine Distress Signals & Pyrotechnics

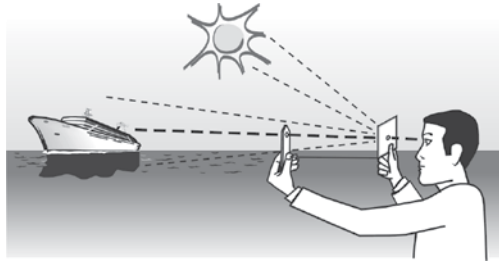
- 
- A photograph of a person in an orange life jacket on a life raft, firing a flare. The flare is lit and emitting a bright orange flame and a thick plume of white smoke that rises into the sky. The life raft is orange and black, and the person is holding the flare high. The background is a calm sea under a clear sky.
- Day Signals & Reflectors
  - Sound Signals
  - Pyrotechnics

# Day Signals & Reflectors

## Signalling Mirror 7x7cm



Code | 56570



### Instructions of use:

1. Hold the foresight in your left hand with arm fully extended
2. Hold the signalling mirror in right hand toward the sunlight, facing the back of the mirror
3. Align the holes of the foresight and the mirror on the target
4. Move the mirror until the reflection of the sun from the mirror can be seen on the foresight and a shadow point appears in its hole
5. The ray is now directed at the target

## Signalling Mirror with Red Dot

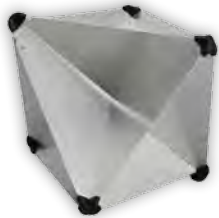
One of the most reliable, effective signalling devices. It features an aiming spot to assist you in flashing in the intended direction. Ø 86 mm.



Code | 27177

## Radar Reflector

It is made of light alloy. Provided with head plastic protection. Folding model for easy storage when not required. Packed in a plastic bag.



## Radar Reflector, Tube Type

- Enhances your boat's signal on the area's radars
- Useful, not only on emergency cases but also on situations when visibility is low and other nearby vessels cannot see you
- Reflects energy from the radars and thus enhances the signal of the vessel
- Eyes on both sides allow the unit to be secured to the shroud
- Made of aluminium elements crossed at several 90° angles in a plastic casing, very high reflecting rate
- Lightweight and compact design
- Practical and noiseless



Code	Description	Dimensions (mm)
97638	Standard 12"	215x215x300
97639	R.O.R.C 16"	300x300x415
35000	R.O.R.C 18"	340x340x470

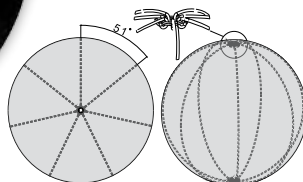
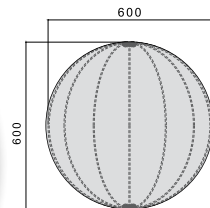
Code	Description	Length (cm)	Diameter Ø (cm)
72075	Sailboat	59	5
72076	Powerboat	57	

## Day Signals

- Required on board by the International Regulation COLREG, as amended
- Mast head signals visually indicating the status of a vessel to other vessels on navigable waters during daylight hours
- Made of heavy-duty fabric with foldable inner framing with webbing, which is fully collapsible and offers quick and easy storage
- Both ball and diamond shapes are in black colour

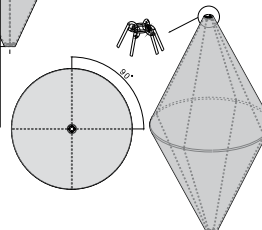
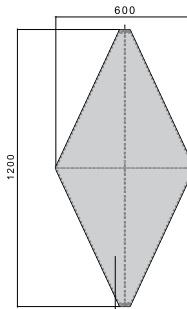
### Day Signal, Ball, Ø 600mm

Code | 72731



### Day Signal, Diamond, 1200x600mm

Code | 72732



## Day Signals & Reflectors



### Black Ball (Anchor Signal)

- Internationally recognised daytime signal, used by boats when at anchor
- Made of highly resistant plastic
- Folds easily for storage

Code	Diameter (mm)
16185	300
39553	350



### Black Cone

This signal must be displayed on sailing boats, when travelling under power.

Code	Dimensions (mm)
16206	350x340
39552	470x330

## Sound Signals

### Signal Horn 380 ml, Set

Acoustic range approximately 1500 m.



Fog Horn Head Only

Code | 10031



Refill Horn Canister, 380ml

Code | 10032



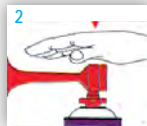
SignalHorn & Refilling Canister in Blister Pack

Code | 10033

### Instructions



To install the horn, you need to screw it on the pressurised container



For operation, press down the horn



The signal horn must always be used in upright position



Do not store the pressurised container in direct sunlight. Do not expose to sunlight for very long hours or to temperatures exceeding 40 °C. Do not pierce or burn after use.

### Signal Horn ECO 300 ml, Set

#### Refill Canister 300ml for Signal Horn ECO 72327



Code | 72903



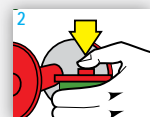
- Non-flammable Gas
- 99,5% Lower GWP



Code | 72327



Install trumpet by clipping it to the top of the canister



To operate push down the button on the top of the horn



Signal horn must always be used in upright position



Do not pierce or burn, even after use

# Sound Signals

## LALIZAS Nautical Whistle



- Commercial grade, non-corrosive, pea-less marine whistle
- Accepted by USCG/SOLAS/MED/ISO for lifejackets and immersion suits
- Manufactured in accordance with SOLAS and USCG requirements
- Certified per ISO 12402-7 & 8

Code	70010	70020
Colour	Blue	Orange

Available code with lanyard, USCG/SOLAS

Code	28104
Colour	Orange



Code | 10040

## Mega Horn

Whether you use Mega Horn in an emergency or for pleasure you certainly will be heard. Sound measures at 105 D.B. Available in red colour, it comes complete with counter merchandising display box.

- Floating, non-corrosive
- Friendly to the environment
- Available in showcases of 12pcs



Code | 90168

## Megaphone with Siren

- Diameter: 200mm
- Length: 330mm
- Power: 20W
- Sound Coverage: 400m approx.
- Function: Talk/Siren (or Music)
- Batteries: 6x1,5V (size C)
- ABS Housing



Code | 16183

## Fog Horn, Red

- Highly resistant polyamide
- Length: 30 cm
- Ø 8 cm

# Pyrotechnics

## LALIZAS Parachute Rocket, SOLAS/MED/USCG



Night and day distress signal for fishing boats, commercial vessels, recreational boats and liferafts. Suitable for marine use only.

- Visibility: 30 mg
- Ejection height: 300 mt
- Duration: 40 secs at 30.000 candelas

Code | 500422



## LALIZAS Hand Flare, SOLAS/MED/USCG



Night or day distress signal. Should be used only in sight of a plane or vessel.

- Duration: 60 secs to 15.000 candelas

Code | 500424



## LALIZAS Dry Bag for Distress Signals/Pyrotechnics



Code | 74636

- Dimensions: Ø16 x 48 cm
- Material: Transparent PVC

\* Distress Signals not included

## LALIZAS Buoyant Smoke Signal, SOLAS/MED/USCG



It emits orange smoke. Safe to use it on petrol or oil covered water. Highly recommended to use it during the day. Should be used only in sight of aircraft or vessel. Intended exclusively for marine use.

- Gross weight: 390 g
- Burning time: 3 minutes

Code | 500823



# IMO Signs

An important and absolutely necessary part of the safety equipment, especially for commercial vessels, is signage. LALIZAS International Standard Signs can be used for indicating exits, directions, fire fighting and lifesaving equipment for the purpose of safe evacuation during emergencies and power failures. LALIZAS manufactures in-house all the International Standard Signs for indicating all of the above with the addition of custom-made signs, which meet all the present IMO specifications, using the highest quality material, in order to meet specific requirements.



## 7 DISPATCH POINTS



- PIRAEUS
- ALGECIRAS
- CANARIAN ISLANDS
- FUJAIRAH
- SINGAPORE
- CAPE TOWN
- HOUSTON

# IMO Signs

## Categories

- |  |   |
|--|---|
| <ol style="list-style-type: none"> <li>1. IMO Symbols on Self-Adhesive Photoluminescent Vinyl</li> <li>2. Safety Signs on Self-Adhesive Photoluminescent Vinyl</li> <li>3. Photoluminescent Direction Signs</li> <li>4. Fire Signs</li> <li>5. Fire Control Symbols to Resolution A654</li> <li>6. Fire Control Symbols to ISO 17631</li> <li>7. Low Location Lighting</li> <li>8. Prohibition Signs</li> <li>9. Mandatory Signs</li> <li>10. Hazard Signs &amp; Diamonds</li> </ol> | <ol style="list-style-type: none"> <li>11. ISPS Code Signs &amp; Security Signs</li> <li>12. Deck &amp; Engine Room Signs</li> <li>13. Galley Signs</li> <li>14. Accommodation Signs</li> <li>15. Combination Signs</li> <li>16. Training, Safety, Environmental &amp; LALIZAS Posters</li> <li>17. Passenger Vessel and Terminal Building Signs</li> <li>18. Temporary Tie Tags</li> <li>19. Pipe Identification (In accordance BS 1710 &amp; ISO 1472)</li> </ol> |
|--|---|

## LALIZAS Code

Material **81|4100** IMPA Code

### Material

- 81 - Photoluminescent, self-adhesive vinyl
- 82 - Photoluminescent, rigid PVC
- 83 - White, self-adhesive vinyl
- 84 - White, rigid PVC
- 85 - White, self-adhesive paper or laminated paper
- 86 - Transparent vinyl
- 88 - Coloured vinyl or coloured polyethylene

## Low Location Lighting

PHOTOLUMINESCENT (PL) SYSTEM



LALIZAS technical team provides the entire LLL System. Study of Vessel's Plan, on board Inspection, on board Installation, Luminance Performance Measurement & Certification.

For the on board inspections we assign qualified technicians equipped with Digital Photometer calibrated for testing LLL system which must be compliant with ISO 15370, IMO A. 752(18), ISO 16069 and DIN 67510.

- Study of Vessel's Plan
- On board Inspection
- On board Installation
- Luminance Performance Measurement, Maintenance
- Certification of your LLL Systems

Aluminium Frame,  
Angled Type  
6cmx100cm  
Code | 822395

Aluminium Frame,  
Flat Type  
6cmx100cm  
Code | 822394

End Cap (right or left)  
for Aluminium Frame,  
Angled Type  
Code | 822399

End Cap for Aluminium  
Frame, Flat Type  
Code | 822398

Photoluminescent  
Stripes PVC Rigid,  
5,5cmx100cm  
Code | 822396

## Special Designs



Special Design Signs  
of Photoluminescent  
Self-adhesive Vinyl  
Code | 810600

Special Design Signs  
of Self-adhesive Vinyl  
Code | 830616

Special Design  
Signs of Rigid  
Photoluminescent  
Code | 820600

Special Design Signs  
of Rigid PVC  
Code | 840000

All signs can be produced in any language  
that you may select



Lifebuoy Lettering,  
one side - set /  
SPECIFY TEXT  
Code | 830001

Lifebuoy Lettering,  
one side /  
SPECIFY SIZE & TEXT  
Code | 830002

# Personal Protection

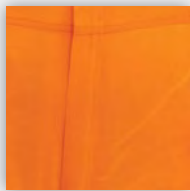


- Workwear



# Workwear

## Workwear Coverall, Cotton 200gsm



Oeko-Tex fabric



Velcro



Retroreflective tapes



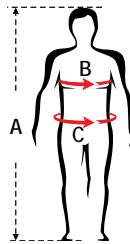
100% COTTON MERCERIZED & TWICE PRE-SHRUNKED

● Code	72637	72638	72639	72640	72641	72642	72643
● Code	72644	72645	72646	72647	72648	72649	72650
○ Code	72651	72652	72653	72654	72655	72656	72657
Size	S	M	L	XL	2XL	3XL	4XL

## LALIZAS Raincoat and Rainsuit

- Ideal for all water related activities
- Suitable also for water related working operations
- Concludes net fabric at the inner chest size of the coat at the top part so as not to 'stuck' onto the clothes or human fabric
- Made of 100% waterproof polyester with PVC backing
- The seams are internally welded with PVC material for extra durability
- It has outer pockets on rainsuit on top part and on raincoat
- The rainsuit trouser has elastic waistband

- Features zippers and buttons on, consisting of a foldable hood in collar and have storm cuffs on rainsuit on top part and on the raincoat
- Designed to be lightweight in order not to stress the user
- Even fish blood and grease stains can be easily removed
- Available in visible yellow colour, in 6 sizes
- Tested according to and found to be in compliance with the European Standards, EN 343 and EN ISO 13688 for protective clothing, offering the highest level of PPE rain protection.



LALIZAS Rainsuit with Hood

Code	73683	73684	73685	73686	73687	73688
Size	S	M	L	XL	2XL	3XL
A (cm)	170-172	174-176	178-180	182-184	186-188	190-192
B (cm)	92-96	100-104	108-112	116-120	124-128	132-136
C (cm)	80-84	88-92	96-100	104-108	112-118	120-124

LALIZAS Raincoat with Hood

Code	73677	73678	73679	73680	73681	73682
Size	S	M	L	XL	2XL	3XL
A (cm)	170-172	174-176	178-180	182-184	186-188	190-192
B (cm)	92-96	100-104	108-112	116-120	124-128	132-136
C (cm)	80-84	88-92	96-100	104-108	112-118	120-124

# Workwear

## Fishermen's Jackets & Trousers

- Designed to minimize the possibilities for nets to get caught while working
- It has a 0,35mm double PVC coating on the inside & outside of the fabric
- Instead of seam stitching, the different garment parts are "glued" to provide 100% water-proofness
- The jacket features full front flapped zipper and inner hand cuffs
- The pants cover the body up to the height of the chest
- Features elastic adjustable belt straps and buckle closure
- Even fish blood and grease stains can be easily removed

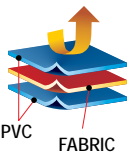


### Jacket

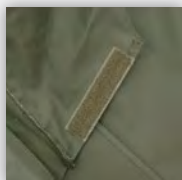
● Code	40175	40176	40177	40178	40179	72488
● Code	40185	40186	40187	40188	40189	72489
Size	S	M	L	XL	XXL	XXXL

### Trousers

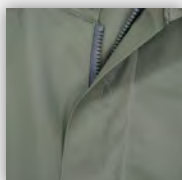
● Code	40195	40196	40197	40198	40199	72490
● Code	40205	40206	40207	40208	40209	72491
Size	S	M	L	XL	XXL	XXXL



Velcro tape at hood chin



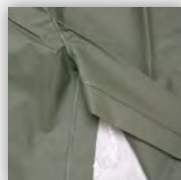
Full storm flap



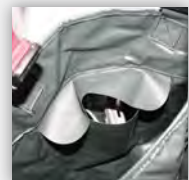
Inner elastic hand cuff



All seams are sealed



Inside trouser pocket



# Navigation Lights



- LED Navigation Lights
- Standard Navigation Lights
- Bulbs

# LED Navigation Lights



For boats up to 12m

# MICRO LED

## MICRO LED 12 Starboard & Port Lights 112,5°, Side & Flush mounted, Set

MICRO LED series includes the smallest but brightest navigation lights to indicate your position & keep you safe on the water. With elegant design and easy installation with just one hole, these lights provide the smallest possible "footprint" that a navigation light can leave on a boat. Their housing come in three different colours (white, black and chrome). There are two different options in terms of fastening (with screws or with silicone).



- Side & flush mounted
- Modern design
- Waterproof
- Non-corrosive
- Non-magnetic
- Easy installation



74357      74359      74361      74358      74360      74362

Housing:  White    Black    Chrome



Dimensions are in mm

**Characteristics:**

Material: White ASA housing & shatterproof PC lens

Visible distance (Starboard – Port): 1 nm

Power consumption: 0,25 W, on 12/24 V

Code	74357	74359	74361
Mounting	without holes (with glue)		
Housing	White	Black	Chrome

Code	74358	74360	74362
Mounting	with holes (screws)		
Housing	White	Black	Chrome

**Installation:**

MICRO LED Lights are a unique design within LALIZAS range of side & flush mounted navigation lights. They can be easily positioned into the boat's bow with just one hole. Depending on the product code, they can be fastened either with silicone or with screws, without leaving any sharp edges to spoil the boat's lines or cause injuries.

**Included:**

Self-adhesive EVA flange & Wire length 150 mm & Screws\*-DIN7982 ST2 9x13 (\*for mounting with holes).

## MICRO LED Pole Light

LALIZAS MICRO LED series includes the smallest but brightest navigation lights to indicate your position & keep you safe on the water. The Pole Lights of this series feature an innovative and elegant design, and may be used on boats up to 12 m as a white all-round stern light. There are various available options to meet all possible requirements, even by the most demanding boaters. The housing comes in two different colours (black, grey) and the base comes as a folding or plug in one, based on the product code. Also available in two different lengths.

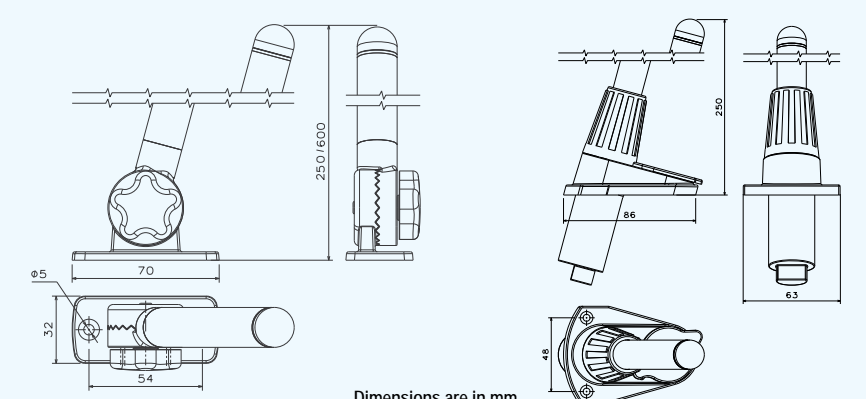
Material: Anodised aluminium pole with polycarbonate lens and a glass reinforced nylon base

Pole diameter: 19 mm

Visible distance: 1 nm

Power consumption: 0,25 W, on 12/24 V

Installation: Should be screwed in such a position in order to be higher than the sidelights (according to COLREG 72)

Dimensions are in mm

Code	74364	74363	74366	74365	74382	74381	74384	74383
Base	Folding		Plug in		Folding		Plug in	
Length (cm)	25	60	25	60	25	60	25	60
Housing	Grey				Black			

# LED Navigation Lights

FOS LED series of navigation lights is designed to save power consumption on board and offers reliability, efficiency and optimal visibility at sea. This series of LED navigation lights is suitable for boats up to 20m (depending on the product code) for enhanced safety. LED technology provides supreme efficiency with up to 80% less power consumption compared to conventional bulbs. Their completely sealed unit ensures durability and safety.

The series meets the requirements for:

- COLREG 72 • MSC 253(83) • IEC 60945 • EN 14744
- ABYC A-16 • IP67 • USCG Approval

# FOS LED



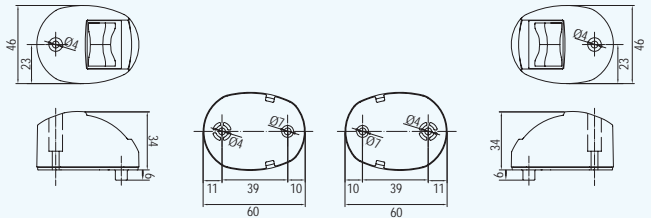
For boats up to 12m



CE

## FOS LED 12 Starboard & Port Lights 112,5° , Set

- For boats up to 12 m
- Visible distance: 1 nm
- 12-15V DC & 0,5W
- Red & green LED light
- Side mounted
- Lasts for 50.000 hours
- Waterproof, non-corrosive, non-magnetic
- Weight: 60gr/pc



Dimensions are in mm

Code	71313	71314
Housing	Black	White

Included:

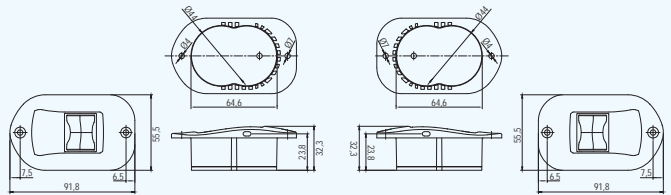
1. Screws DIN7981 / ISO 7049 M3.5x32mm
2. Wire length 0.6m
3. Double-side adhesive sticker that can be used as drilling drawing

CE



## FOS LED 12 Starboard & Port Lights 112,5° , Set

- For boats up to 12 m
- Visible distance: 1 nm
- 12-15V DC & 0,5W
- Red & green LED light
- Side & flush mounted
- Lasts for 50.000 hours
- Waterproof, non-corrosive, non-magnetic
- Weight: 75gr/pc



Dimensions are in mm

Code	71315	71316
Housing	Black	White

Included:

1. Screws DIN7981 / ISO 7049 M3.5x13mm
2. Wire length 0.6m
3. Double-side adhesive sticker that can be used

# LED Navigation Lights



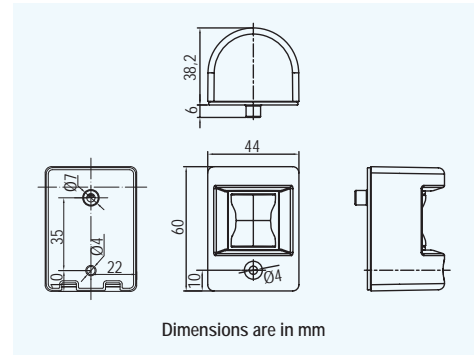
For boats up to 12m

# FOSLED



## FOS LED 12 Stern Light 135°

- For boats up to 12 m
- Visible distance: 2 nm
- 12-15V DC & 0,5W
- White LED light
- Side mounted
- Lasts for 50.000 hours
- Waterproof, non-corrosive, non-magnetic
- Weight: 65gr/pc



Included:

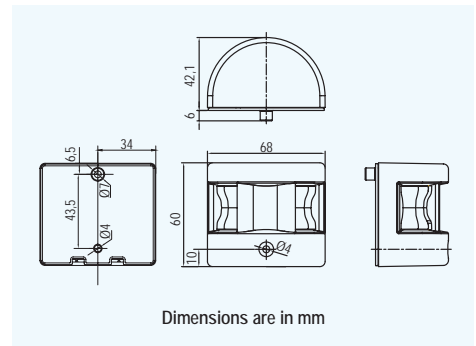
1. Screw DIN7981 / ISO 7049 M3.5x32mm
2. Wire length 0,6m
3. Double-side adhesive sticker that can be used as drilling drawing

Code	71301	71302
Housing	Black	White



## FOS LED 12 Masthead Light 225°

- For boats up to 12 m
- Visible distance: 2 nm
- 12-15V DC & 1W
- White LED light
- Side mounted
- Lasts for 50.000 hours
- Waterproof, non-corrosive, non-magnetic
- Weight: 150gr/pc



Included:

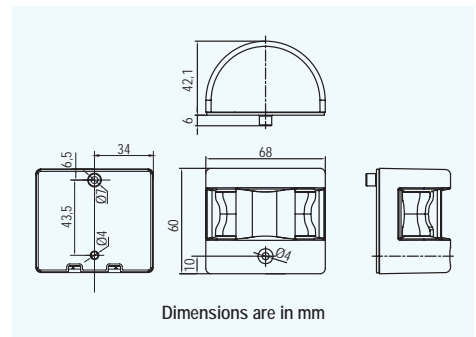
1. Screw DIN7981 / ISO 7049 M3.5x32mm
2. Wire length 0.6m
3. Double-side adhesive sticker that can be used as drilling drawing

Code	71303	71304
Housing	Black	White



## FOS LED 12 Bi-colour Light

- For boats up to 12 m
- Visible distance: 1 nm
- 12-15V DC & 1W
- Red & green LED light
- Side mounted
- Lasts for 50.000 hours
- Waterproof, non-corrosive, non-magnetic
- Weight: 150gr/pc



Included:

1. Screw DIN7981 / ISO 7049 M3.5x32mm
2. Wire length 0,6m
3. Double-side adhesive sticker that can be used as drilling drawing

Code	71305	71306
Housing	Black	White

# LED Navigation Lights

## FOSLED

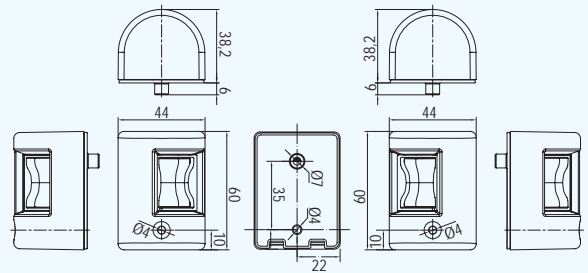


For boats up to 12m



### FOS LED 12 Starboard & Port Lights 112,5° , Set

- For boats up to 12 m
- Visible distance: 1 nm
- 12-15V DC & 0,5W
- Red & green LED light
- Side mounted
- Lasts for 50.000 hours
- Waterproof, non-corrosive, non-magnetic
- Weight: 65gr/pc



Dimensions are in mm

Included:

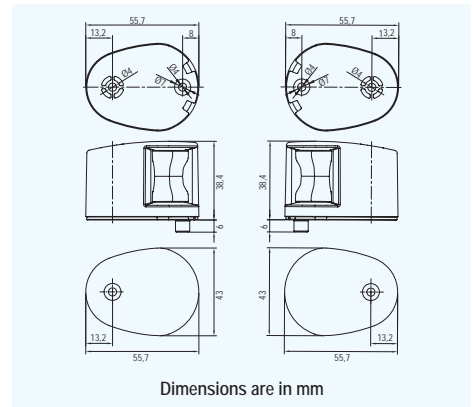
1. Screws DIN7981 / ISO 7049 M3.5x32mm
2. Wire length 0,6m
3. Double-side adhesive sticker that can be used as drilling drawing

Code	71299	71300
Housing	Black	White



### FOS LED 12 Starboard & Port Lights 112,5° , Set

- For boats up to 12 m
- Visible distance: 1 nm
- 12-15V DC & 0,5W
- Red & green LED light
- Deck mounted
- Lasts for 50.000 hours
- Waterproof, non-corrosive, non-magnetic
- Weight: 60gr/pc



Dimensions are in mm

Included:

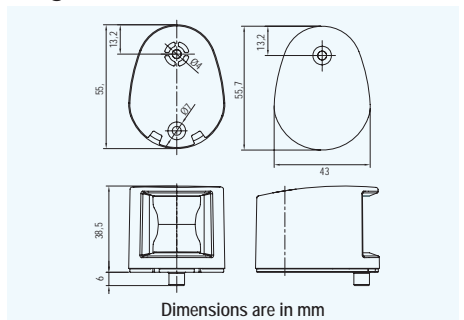
1. Screws DIN7981 / ISO 7049 M3.5x32mm
2. Wire length 0,6m
3. Double-side adhesive sticker that can be used as drilling drawing

Code	71317	71318
Housing	Black	White



### FOS LED 12 Stern Light 135°

- For boats up to 12 m
- Visible distance: 2 nm
- 12-15V DC & 0,5W
- White LED light
- Deck mounted
- Lasts for 50.000 hours
- Waterproof, non-corrosive, non-magnetic
- Weight: 55gr/pc



Dimensions are in mm

Included:

1. Screw DIN7981 / ISO 7049 M3.5x32mm
2. Wire length 0,6m
3. Double-side adhesive sticker that can be used as drilling drawing

Code	71319	71320
Housing	Black	White

# LED Navigation Lights



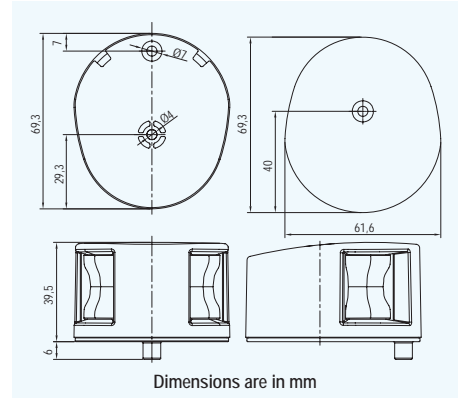
For boats up to 12m

# FOSLED



## FOS LED 12 Bi-colour Light

- For boats up to 12 m
- Visible distance: 1 nm
- 12-15V DC & 1W
- Red & green LED light
- Deck mounted
- Lasts for 50.000 hours
- Waterproof, non-corrosive, non-magnetic
- Weight: 90gr/pc



Included:

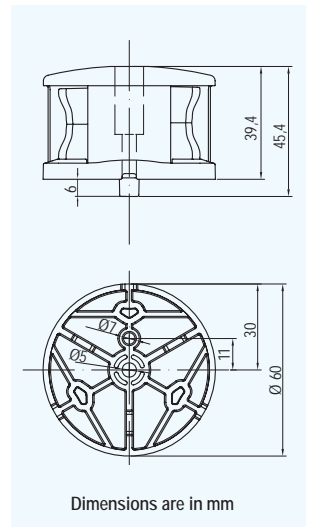
Code	71321	71322
Housing	Black	White

1. Screw DIN7981 / ISO 7049 M3.5x32mm
2. Wire length 0,6m
3. Double-side adhesive sticker that can be used as drilling drawing



## FOS LED 12 Tri-colour Light

- For boats up to 12m
- Visible distance: 1+1+2 nm
- 12-15V DC & 1,5W
- Red, green & white LED light
- Deck mounted
- Lasts for 50.000 hours
- Waterproof, non-corrosive, non-magnetic
- Weight: 95gr/pc



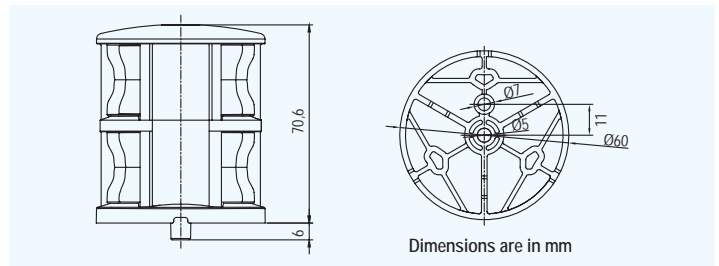
Code	71309	71310
Housing	Black	White

- Included:
1. Screw DIN7981 / ISO 7049 M3.5x32mm
  2. Wire length 0,6m
  3. Double-side adhesive sticker that can be used as drilling drawing



## FOS LED 12 Tri-colour & Anchor Light

- For boats up to 12 m
- Visible distance: 1+1+2 nm & anchor light 2 nm
- 12-15V DC & 3W
- Red, green & white LED light
- Deck mounted
- Lasts for 50.000 hours
- Waterproof, non-corrosive, non-magnetic
- Weight: 160gr/pc



Code	71311	71312
Housing	Black	White

Included:

1. Screw DIN7981 / ISO 7049 M4,8x60mm
2. Wire length 0,6m
3. Double-side adhesive sticker that can be used as drilling drawing



# LED Navigation Lights

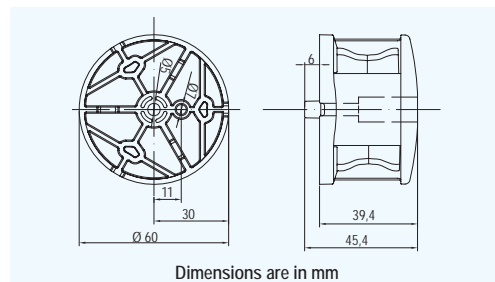


For boats up to 20m



## FOS LED 20 All-round Light 360°

- For boats up to 20 m
- Visible distance: 2 nm
- 12/24V DC & 1,5W
- White LED light
- Deck mounted
- Lasts for 50.000 hours
- Waterproof, non-corrosive, non-magnetic
- Weight: 95gr/pc



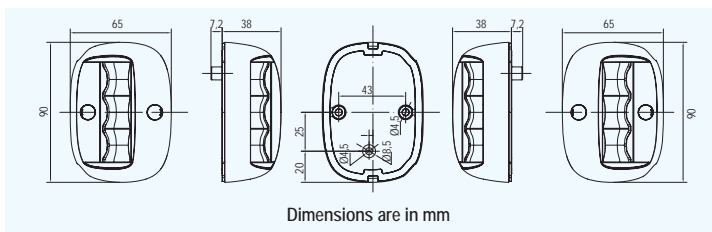
Code	71307	71308
Housing	Black	White

- Included:
1. Screw DIN7981 / ISO 7049 M3.5x32mm
  2. Wire length 0,6m
  3. Double-side adhesive sticker that can be used as drilling drawing



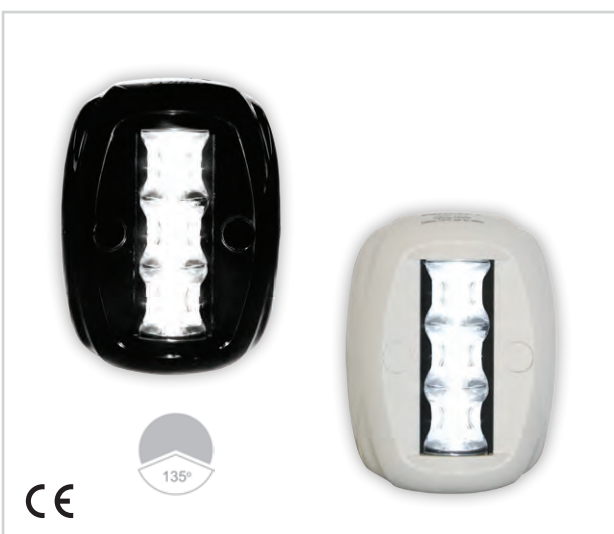
## FOS LED 20 Starboard & Port Lights 112,5° , Set

- For boats up to 20 m
- Visible distance: 2 nm
- 12/24 V DC & 1,5 W
- Green & red LED light
- Side mounted
- Lasts for 50.000 hours
- Waterproof, non-corrosive, non-magnetic
- Weight: 155gr/pc



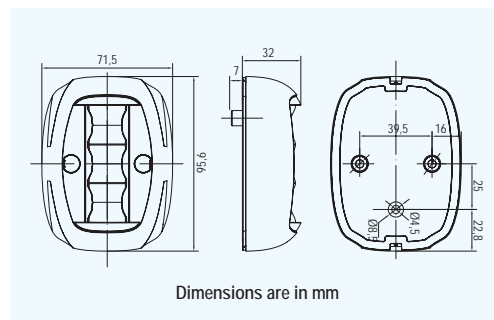
Code	71968	71969
Housing	Black	White

- Included:
1. Screw DIN7981 / ISO 7049 M4.2x32mm (2 pieces per item, total 4 pieces)
  2. 1,2 m length of wire per product
  3. Double-side adhesive sticker that can be used as drilling drawing



## FOS LED 20 Stern Light 135°

- For boats up to 20 m
- Visible distance: 2 nm
- 12/24 V DC & 1,5 W
- White LED light
- Side mounted
- Lasts for 50.000 hours
- Waterproof, non-corrosive, non-magnetic
- Weight: 165gr/pc



Code	71970	71971
Housing	Black	White

- Included:
1. Screw DIN7981 / ISO 7049 M4.2x32mm (2 pieces per item)
  2. 1,2m length of wire per product
  3. Double-side adhesive sticker that can be used as drilling drawing

Navigation Lights

# LED Navigation Lights



For boats up to 20m

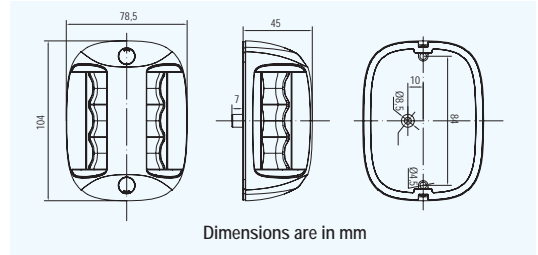


CE



## FOS LED 20 Masthead Light 225°

- For boats up to 20 m
- Visible distance: 2 nm
- 12/24V DC & 3W
- White LED light
- Side mounted
- Lasts for 50.000 hours
- Waterproof, non-corrosive, non-magnetic
- Weight: 235gr/pc



Dimensions are in mm

Code	71972	71973
Housing	Black	White

Included:

1. Screw DIN7981 / ISO 7049 M4.2x32mm (2 pieces per item)
2. 1.2m length of wire per product
3. Double-side adhesive sticker that can be used as drilling drawing

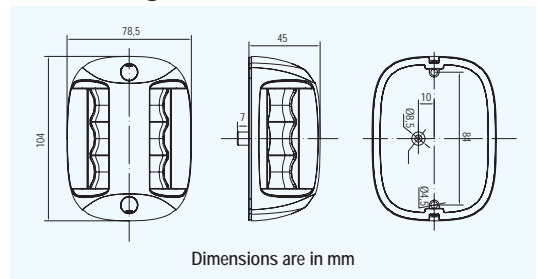


CE



## FOS LED 20 Bi-colour Light

- For boats up to 20 m
- Visible distance: 2 nm
- 12/24 V DC & 3W
- Red & green LED light
- Side mounted
- Lasts for 50.000 hours
- Waterproof, non-corrosive, non-magnetic
- Weight: 235gr/pc



Dimensions are in mm

Code	71974	71975
Housing	Black	White

Included:

1. Screw DIN7981 / ISO 7049 M4.2x32mm (2 pieces per item)
2. 1.2m length of wire per product
3. Double-side adhesive sticker that can be used as drilling drawing

# CLASSIC LED

Classic LED series of navigation lights are designed for boats up to 20m (depending on the product code). Made of tough UV stabilized ABS polycarbonate compound with shatter-proof acrylic lens, stainless steel electrical contacts and nitrile water resistant seal to provide reliable long-life. All CLASSIC LED are supplied with encapsulated in silicon 12/24V LED bulb to ensure maximum energy saving, protection against humidity and a long lifetime of 50.000 hours.

The series meets the requirements for:  
• COLREG 72 • MSC 253(83) • EN 14744



For boats up to 12m

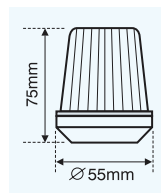


## CLASSIC LED 12 All-round Lights

All round lights are screw mounted on the mast as high as possible and are connected to the central or auxiliary circuit.

- For boats up to 12 m
- Visible distance: 2 nm
- 12/24V DC & 2 W
- White LED light or tri-colour
- Deck mounted
- Waterproof, non-corrosive, non-magnetic

Code	72164	72167
Description	White	Tri-colour
Housing	Black	



### Bulb



CLASSIC LED 12 Bulb (BA15S) for All-round Lights 12/24V

Code | 72182

# LED Navigation Lights

## CLASSIC LED

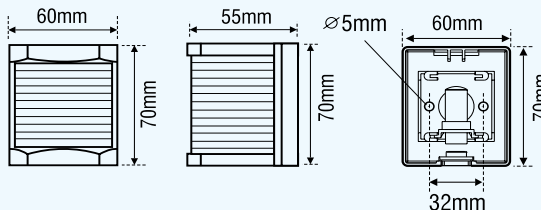


For boats up to 12m

### CLASSIC LED 12 Starboard - Port - Stern - Masthead - Bi-colour Light



- For boats up to 12 m
- Visible distance:
  - Port - Starboard - Bi-colour: 1 nm
  - Stern - Masthead: 2 nm
- 12/24V DC & 2 W
- Side mounted
- Waterproof, non-corrosive, non-magnetic



Code	72168	72169	72170	72171	72172
Description	Starboard Green 112,5°	Port Red 112,5°	Stern White 135°	Masthead White 225°	Bi-colour 225°
Housing	Black				



**CLASSIC LED Bulb Kit 12, 12/24V**

**Bulb**

Code | 72183

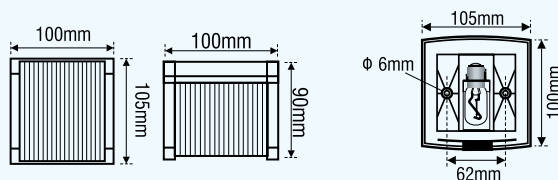


For boats up to 20m

### CLASSIC LED 20 Starboard - Port - Stern - Masthead - Bi-colour Light



- For boats up to 20 m
- Visible distance:
  - Port - Starboard - Bi-colour: 2 nm
  - Stern: 2 nm
- Masthead: 3 nm
- 12/24V DC & 4W
- Side mounted
- Waterproof, non-corrosive, non-magnetic



Code	72177	72178	72179	72180	72181
Description	Starboard Green 112,5°	Port Red 112,5°	Stern White 135°	Masthead White 225°	Bi-colour 225°
Housing	Black				



**CLASSIC LED 20 Bulb (BAY15D), 12/24V**

**Bulb**

Code | 72184

Navigation Lights

# LED Navigation Lights



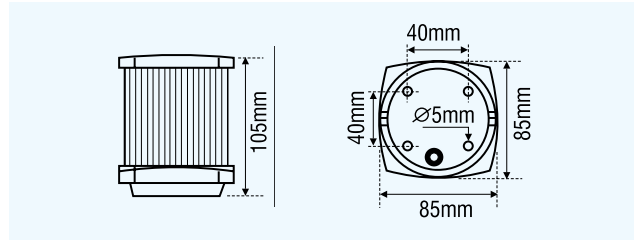
For boats up to 20m

## CLASSIC LED


### CLASSIC LED 20 All-round Light



- For boats up to 20 m
- Visible distance: 2 nm
- 12/24V DC & 4 W
- Deck mounted
- Waterproof, non-corrosive, non-magnetic



Code	72176	72173
Description	Signal White 360°	Tricolour 360°
Housing	Black	



Bulb

**CLASSIC LED 20 Bulb (BAY15D), 12/24V**

Code | 72184

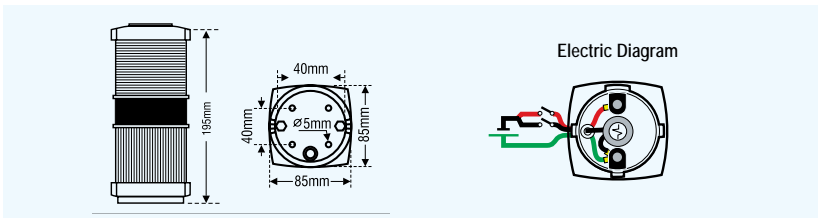
### CLASSIC LED 20 All-round & Tri-colour Light

This all-round (white) & tri-colour navigation light features an improved bulb holder, simplified wiring installation and compact two-piece design. This is one compact product with protection against electrolysis, easier and more effective electric connection.



Code | 72189

- For boats up to 20 m
- Visible distance: All-round: 2 nm, Tri-colour: 2 nm
- 12/24V DC & 4W/ each light
- Deck mounted
- Waterproof, non-corrosive, non-magnetic



To change the bulb follow the instructions as indicated in the pictures.




Unscrew the casing by turning it anti-clockwise



Pull the casing and change the bulbs needed



Place the casing by matching the lugs to the relevant slots and turning clockwise



Bulb

**CLASSIC LED 20 Bulb (BAY15D), 12/24V**

Code | 72184

# LED Navigation Lights

## LED KITS

"LED UP" your CLASSIC 12 & 20 Navigation Lights

### CLASSIC 12 Navigation Lights



CLASSIC LED 12 Bulb Kit,  
12/24V

Code | 72183

LED IT UP



Starboard Light 112,5°

Code | 30091



Port Light 112,5°

Code | 30092



Bi-colour Light 225°

Code | 30095



Stern Light 135°

Code | 30093



Masthead Light 225°

Code | 30094



CLASSIC LED 12 Bulb  
(BA15S) for All-round  
Lights 12/24V

Code | 72182

LED IT UP



All-round Light,  
White 360°

Code | 30111



All-round Light,  
Tri-colour 360°

Code | 30114

### CLASSIC 20 Navigation Lights



CLASSIC LED 20 Bulb  
(BAY15D), 12/24V

Code | 72184

CE

LED IT UP



Starboard Light 112,5°

Code | 30501



Port Light 112,5°

Code | 30502



Stern Light  
135°

Code | 30503



Masthead  
Light 225°

Code | 30504



Bi-colour  
Light 225°

Code | 30505



All-round Light,  
White 360°

Code | 30523



All-round Light,  
Tri-colour 360°

Code | 30404



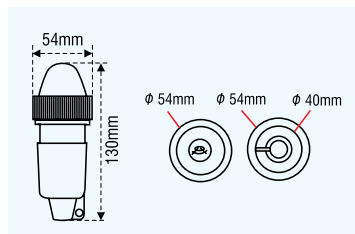
All-round  
& Tri-colour Light 360°

Code | 30415

# Standard Navigation Lights

## EMERGENCY Navigation Lights

EMERGENCY waterproof navigation lights are ideal for use on small crafts, inflatable boats, kayaks, or as emergency lighting in larger boats. All portable emergency lights can be used when conventional lights are not suitable for the vessel or when they are not operating. They are available with external light reflectors. Standard alkaline batteries (D cell) are needed (not included), giving approx. 9 hours of continuous use.



Code	30001	30002	30003	30010
Description	Green	Red	White	Set

### Bulb



**Bulb**  
1,1 V/0,33 W,  
E10, C6U

Code | 00453



**Bulb in Blister**  
1,1 V/0,33 W,  
E10, C6U

Code | 30640

For boats up to 7m

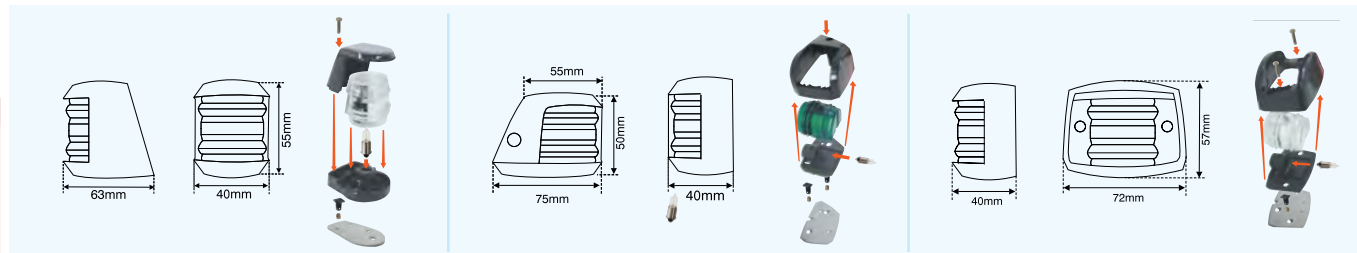


## FAROS 7

FAROS 7 series of navigation lights includes masthead, starboard, port and stern lights, ideal for powerboats up to 7m. They lights are waterproof, non-corrosive and non-magnetic. They are mounted on the surfaces with wall plugs. Navigation lights with wall plug have the advantage that they are much easier to mount and you only need to open one hole. This range is provided with a two sided adhesive tape and flange, which by sticking it on the surface you know exactly where to open the hole and the flange is already in the correct place.

<p><b>Masthead Light 225°</b></p> <table border="1"> <tr><td>Code</td><td>30864</td></tr> <tr><td>Housing</td><td>Black</td></tr> </table> <p>225°</p>	Code	30864	Housing	Black	<p><b>Bi-colour Light 225°</b></p> <table border="1"> <tr><td>Code</td><td>30865</td></tr> <tr><td>Housing</td><td>Black</td></tr> </table> <p>112,5° 112,5°</p>	Code	30865	Housing	Black	<p><b>Starboard Light 112,5°</b></p> <table border="1"> <tr><td>Code</td><td>30861</td></tr> <tr><td>Housing</td><td>Black</td></tr> </table> <p>112,5°</p>	Code	30861	Housing	Black
Code	30864													
Housing	Black													
Code	30865													
Housing	Black													
Code	30861													
Housing	Black													
<p><b>Starboard Light 112,5°</b></p> <table border="1"> <tr><td>Code</td><td>31051</td></tr> <tr><td>Housing</td><td>Black</td></tr> </table> <p>112,5°</p>	Code	31051	Housing	Black	<p><b>Port Light 112,5°</b></p> <table border="1"> <tr><td>Code</td><td>31052</td></tr> <tr><td>Housing</td><td>Black</td></tr> </table> <p>112,5°</p>	Code	31052	Housing	Black	<p><b>Port Light 112,5°</b></p> <table border="1"> <tr><td>Code</td><td>30862</td></tr> <tr><td>Housing</td><td>Black</td></tr> </table> <p>112,5°</p>	Code	30862	Housing	Black
Code	31051													
Housing	Black													
Code	31052													
Housing	Black													
Code	30862													
Housing	Black													
		<p><b>Stern Light 135°</b></p> <table border="1"> <tr><td>Code</td><td>30863</td></tr> <tr><td>Housing</td><td>Black</td></tr> </table> <p>135°</p>	Code	30863	Housing	Black								
Code	30863													
Housing	Black													

- Material: Made of nylon fiber mix housing and shatter-proof plexiglass (PMMA) lens
- Housing: Available in black housing
- Seal: Nitrile water resistant
- Installation: Side & deck mounted
- Visible distance: Port - Starboard - Bi-colour: 1nm / Stern. Masthead: 2nm
- Contacts: Brass.
- Bulb (included): 12V / 5W



1 Remove the protective paper from the self adhesive flange



2 Attach the flange at the point you want to place the light and open the holes using a drill



3 Pass the wires through the lower hole and fit the light's raw plugs in the side holes



4 Screw until the raw plugs are secured

### Bulb



**Bulb in Blister**  
12V/5W, BA9S,  
C2R

Code | 30940



**Bulb 12V/5W,**  
BA9S, C2R

Code | 01184



**Bulb LED, 12V, BA9S,**  
Cool White - 4SMDs  
+ 1LED

Code | 71233

# Standard Navigation Lights

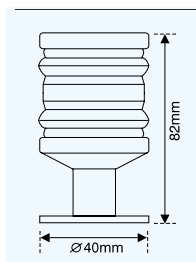


For boats up to 7m

## JUNIOR 7 All-round Lights

These all-round pedestal lights are designed for sailboats up to 7m. These lights are much smaller in size without compromising in elegant design and efficient operating function. The pedestal fitting gives a firm attachment to the boat. Durability and longevity are ensured through the high quality manufacturing standards of LALIZAS.

Visible distance: 2nm. Bulb (included): 12V/5W.



BEST VALUE



Code	30803	30813	30804	30814
Colour	White		Tri-Colour	
Housing	Black	White	Black	White

## JUNIOR 7 Starboard & Port - Stern - Masthead Lights

JUNIOR 7 series of navigation lights is designed for boats up to 7m length. The lights are waterproof, non-corrosive and non-magnetic. They are very easy to mount and their small size makes them very discreet but without compromising their effectiveness. This range is provided with a two sided adhesive tape and flange, which by sticking it on the surface you know exactly where to open the hole and the flange is already in the correct place.

Code	30821	30822	30823	30824	30825
Description	Starboard Light 112,5°	Port Light 112,5°	Stern Light 135°	Masthead Light 225°	Bi-colour Light 225°
Housing	Black				

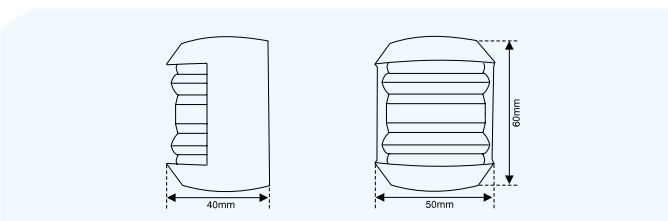
Code	30831	30832	30833	30834	30835
Description	Starboard Light 112,5°	Port Light 112,5°	Stern Light 135°	Masthead Light 225°	Bi-colour Light 225°
Housing	White				

- Material: Nylon fibre mix housing & shatterproof plexiglass (PMMA) lens
- Housing: Available in black and white housing

- Seal: Nitrile water resistant
- Installation: Side mounted

- Visible distance: Port - Starboard  
- Bi-colour: 1nm / Stern - Masthead: 2nm

- Contacts: Brass
- Bulb (included): 12V / 5W



Bulb in Blister  
12V/5W, BA9S,  
C2R

Code | 30940



Bulb 12V/5W,  
BA9S, C2R

Code | 01184



Bulb LED, 12V, BA9S, Cool  
White - 4SMDs + 1LED

Code | 71233

Bulb

# Standard Navigation Lights

For boats up to 7m



## MATI 7 Starboard & Port - Stern Lights

MATI 7 series of navigation lights are designed for powerboats up to 7m length. The lights are waterproof, non-corrosive and non-magnetic. Their special design enables them to be neatly mounted on the boat with safety and without compromising on appearance. They are fitted into the boat's bow, without leaving any sharp edges to either spoil the boat's lines or cause any injuries. They are provided with a two-sided adhesive tape and flange, which by sticking it on the surface you know exactly where to open the hole and the flange is already in the correct place.

Starboard Light 112,5°

Code	30841	30851	30921
Housing	Black	White	Chrome

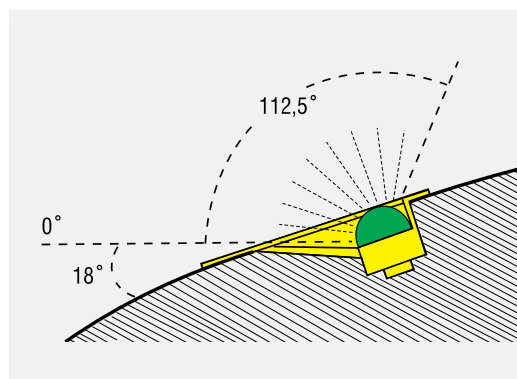
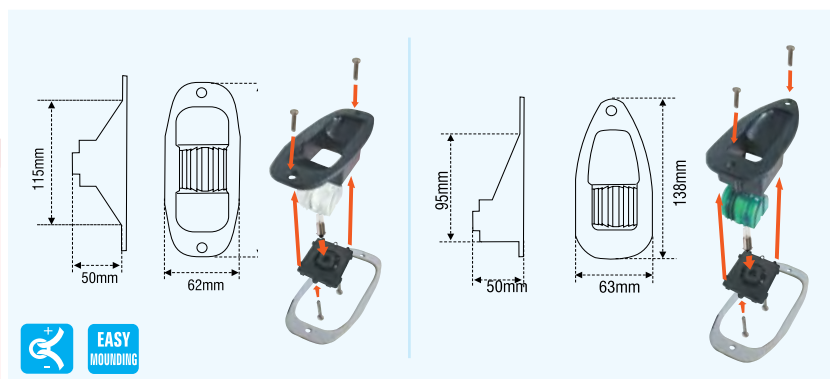
Port Light 112,5°

Code	30842	30852	30922
Housing	Black	White	Chrome

Stern Light 135°

Code	30843	30853
Housing	Black	White

- Material: Nylon fiber mix housing. Shatterproof Plexiglass (PMMA) lens
- Housing: Available in black, white and chrome housing
- Seal: Nitrile water resistant
- Installation: MATI 7 lights have a unique design within the LALIZAS range of side mounted navigation lights
- Visible distance: Port - Starboard: 1nm / Stern: 2nm
- Contacts: Brass. Bulb (included): 12V / 5W



Navigation Lights



**Bulb in Blister**  
12V/5W, BA9S,  
C2R

Code | 30940



**Bulb 12V/5W,**  
BA9S, C2R

Code | 01184



**Bulb LED, 12V,**  
BA9S, Cool White -  
4SMDs + 1LED

Code | 71233

**Bulb**



# Standard Navigation Lights



For boats up to 7m

## POWER 7 Starboard & Port - Bi-colour- Stern - Masthead - Fixed Spreader Lights

POWER 7 series of power boat navigation lights is compact and streamlined to follow comfortably the fit of most boats. The lights are fixed through the base with two or more screws, and the housing is clipped on. Their round shape is less likely to snag with other fittings or ropes.

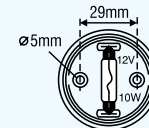
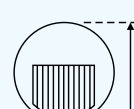
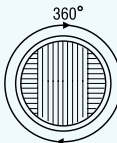
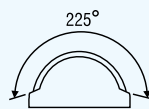
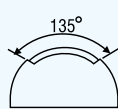
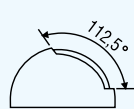
30061	30063	30065	30067					
30062	30064	30066	30068					
Code	30061	30062	30063	30064	30065	30066	30067	30068
Description	Starboard Light 112,5°	Port Light 112,5°	Stern Light 135°	Masthead Light 225°, Side mounted	Bi-colour Light 225°, Side mounted	Bi-colour Light 225°, Deck mounted	Masthead Light 225°, Deck mounted	Navigation Light, Fixed Spreader 360°
Housing	Black							

30071	30073	30075	30077					
30072	30074	30076	30078					
Code	30071	30072	30073	30074	30075	30076	30077	30078
Description	Starboard Light 112,5°	Port Light 112,5°	Stern Light 135°	Masthead Light 225°, Side mounted	Bi-colour Light 225°, Side mounted	Bi-colour Light 225°, Deck mounted	Masthead Light 225°, Deck mounted	Navigation Light, Fixed Spreader 360°
Housing	White							

- **Material:** The lenses are made of tough polycarbonate with nylon fibre mix housing and stainless internal components for added strength
- **Housing:** Available in black and white housing
- **Installation:** Bi-colour and masthead lights are available for side and deck mounting

- **Visible distance:** Port - Starboard - Bi-colour: 1nm / Stern - Masthead: 2nm
- **Contacts:** Brass.
- **Bulb (included):** 12V / 10W.



Bulb in Blister 12V/10W, SV8.5-8, C8I

Code | 30610



Bulb LED, 12V,T11, SV8.5-8, Cool White - 2x4 LEDs 360°

Code | 71227



Bulb 12V/10W, SV8.5-8, C8I

Code | 00568

Bulb

# Standard Navigation Lights

For boats up to 12m



## CYCLIC 12 Starboard & Port - Bi-colour - Stern - Masthead Lights

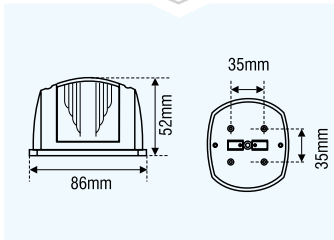
CYCLIC 12 navigation lights are designed for powerboats and sailboats up to 12m length. Their elegant "helmet" style leaves no sharp edges to cause injury or catch lines.



- **Material:** They are made of tough PA6 and PMMA (plexiglass), non-magnetic stainless steel, electrical contacts and a nitrile water resistant seal to provide reliable long life
- **Housing:** Available in black and white housing
- **Installation:** Side mounted

- **Visible distance:** Port – Starboard – Bi-colour: 1nm / Stern – Masthead: 2nm
- **Contacts:** Brass
- **Bulb (included):** 12V / 10W

Code	30461	30462	30463	30464
Description	Starboard Light 112,5°	Port Light 112,5°	Stern White 135°	Masthead Light 225°
Housing	Black			



Code	30471	30472	30473	30474
Description	Starboard Light 112,5°	Port Light 112,5°	Stern Light 135°	Masthead Light 225°
Housing	White			

	<b>Bulb in Blister</b> 12V/10W, SV8.5-8, C8I Code   30610		<b>Bulb</b> 12V/10W, SV8.5-8, C8I Code   00568		<b>Bulb LED, 12V,T11, SV8.5-8, Cool White - 2x4 LEDs 360°</b> Code   71227		<b>Bulb 12V, LED, T11 41mm, Cool White - 4 LEDs</b> Code   71234	<b>Bulb</b>
--	---	--	---	--	---	--	---	-------------

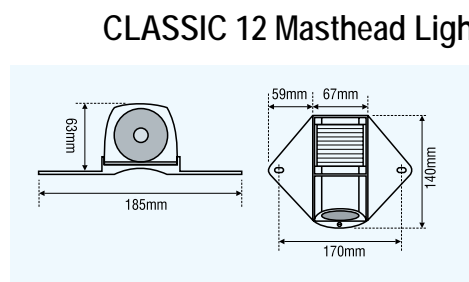


### All-round Light

Code	30183	30194	30303	30314
Description	White	Tri-colour	White	Tri-colour
Base	Black			

### Base for Plug in Light

Code	31020	31030
Colour	Black	White



It provides ample illumination for foredeck chores. Includes universal mast mount.

- **Housing:** Available in black colour
- **Bulb masthead (included):** 12V / 10W
- **Bulb deck light (included):** 12V / 10W

	<b>Bulb in Blister</b> 12V/10w, Sv8.5-8, C8I Code   30600		<b>Bulb</b> 12V/10W, Sv8.5-8, C8I Code   00386		<b>Bulb LED, 12V,T11, SV8.5-8, Cool White - 4 LEDs</b> Code   71234		<b>CLASSIC LED 12 Bulb Kit, 12/24V</b> Code   72183		<b>Halogen Bulb, MR16, G5.3, 12V/20W</b> Code   02020		<b>Bulb LED,12V, MR16, G5.3, Cool White – 10 SMDs</b> Code   71225	<b>Bulb</b>
--	--	--	--	--	--	--	--	--	--	--	---	-------------

Navigation Lights

# Standard Navigation Lights



For boats up to 12m

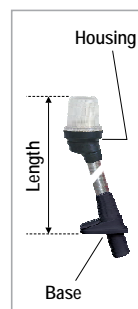
## Pole Light

According to the COLREG 72, all pole lights should be placed higher than the sidelights. Thus, it is easier for other boats to calculate their position in relation to your position and direction. Furthermore, a light positioned lower may be obscured by other objects or people. LALIZAS range of Pole Lights includes telescopic, folding and plug in options, thus meeting all requirements. This type of pole lights may be used on sailing boats less than 20m (tri-colour) or on powerboats less than 12m (white), instead of small all-round lights.

- Material: Made of marine grade stainless steel 304 tubing with ABS plastic, polycarbonate lens and nitrite O ring sealed light and a fibre nylon mix base
- Installation: Pole lights are positioned in such a way that they are higher than the sidelights and may be screwed into position. Depending on the model, you can adjust the height of the light. Five lengths of LALIZAS Pole Lights are available in five different lengths which vary between 23cm and 130cm.
- Visible distance: 2nm
- Bulb (included): 12V / 10W

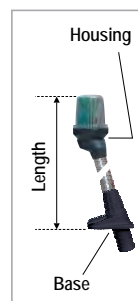
### Pole Lights with Black Housing

Housing	Telescopic		Plug in		Folding	
Base						
Length	54 cm	54 cm	105 cm	130 cm	23 cm	64 cm
Code	30143	30163	30243	30263	30173	30153



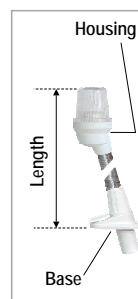
### Pole Lights, Tri-colour with Black Housing

Housing	Plug in		Folding	
Base				
Length	54 cm	23 cm	64 cm	
Code	30234	30214	30204	



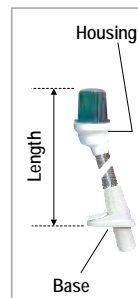
### Pole Lights with White Housing

Housing	Telescopic		Plug in		Folding	
Base						
Length	54 cm	54 cm	105 cm	130 cm	23 cm	64 cm
Code	30273	30293	30333	30353	30763	30283



### Pole Lights, Tri-colour with White Housing

Housing	Plug in		Folding	
Base				
Length	54 cm	23 cm	64 cm	
Code	30324	30784	30774	



Bulb in Blister  
12V/10W,  
BA15S, C2R

Code | 30630



Bulb 12V/10W,  
BA15S, C2R

Code | 00420



Bulb LED, 12V,  
T18 BA15S, Cool  
White - 18 LEDs

Code | 71228



CLASSIC LED 12 Bulb  
(BA15S) for All-round  
Lights, 12/24V DC

Code | 72182

Bulb

Navigation Lights

# Standard Navigation Lights

For boats up to 12m



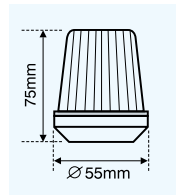
## CLASSIC 12 All-round Lights

CLASSIC 12 series of navigation lights is designed and type-approved for boats up to 12m. It includes all-round lights, starboard & port or bi-colour lights, stern and masthead lights. There are also tri-colour lights which combine all-round light and side navigation lights.



• Material: Made of tough UV stabilized ABS plastic with shatter-proof acrylic lens, non-magnetic, stainless steel electrical contacts and a nitrile water-resistant seal to provide reliable long life.

- Housing: Available in black and white housing
- Visible distance: 2nm
- Bulb (included): 12V / 10W



Code	30111	30112	30113	30114	30133
Description	White	Green	Red	Tri-colour	White
Housing			Black		White

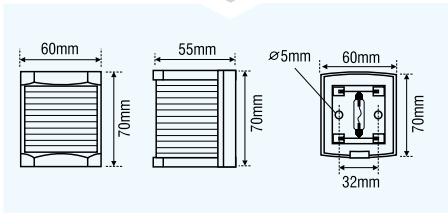
<p><b>Bulb in Blister 12V/10W, BA15S, C2R</b> Code   30630</p>	<p><b>Bulb 12V/10W, BA15S, C2R</b> Code   00420</p>	<p><b>Bulb 12V, LED, T18 BA15S, Cool White - 18 LEDs</b> Code   71228</p>	<p><b>CLASSIC LED 12 Bulb (BA15S) for All-round Lights, 12/24V DC</b> Code   72182</p>	<b>Bulb</b>
--	---	---	--	-------------

## CLASSIC 12 Starboard & Port - Bi-colour- Stern - Masthead Lights

Visible distance: Port - Starboard - Bi-colour: 1nm / Stern - Masthead: 2nm. Bulb (included): 12V / 10W



Code	30091	30092	30093	30094	30095		Code	30101	30102	30103	30104	30105
Description	Starboard Light 112,5°	Port Light 112,5°	Stern Light 135°	Masthead Light 225°	Bi-colour Light 225°		Description	Starboard Light 112,5°	Port Light 112,5°	Stern Light 135°	Masthead Light 225°	Bi-colour Light 225°
Housing			Black				Housing			White		



<p><b>Bulb in Blister 12V/10W, Sv8.5-8, C8I</b> Code   30600</p>	<p><b>Bulb 12V/10W, Sv8.5-8, C8I</b> Code   00386</p>	<p><b>Bulb LED, 12V, T11, Sv8.5-8, Cool White - 4 LEDs</b> Code   71234</p>	<p><b>CLASSIC LED 12 Bulb Kit, 12/24V</b> Code   72183</p>	<b>Bulb</b>
--	---	---	--	-------------

Navigation Lights

# Standard Navigation Lights



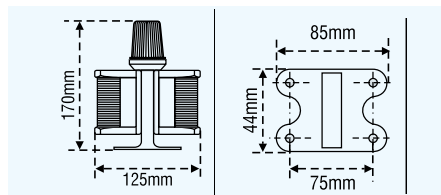
For boats up to 12m

## CLASSIC 12 Combination Lights

The tri-colour version (30429/49) features all-round white and starboard & port lights, while the four-colour version (30439/59) features all-round white, stern and bi-colour light. Both sets are made of UV stabilized ABS plastic, with shatter-proof acrylic lens, non-magnetic stainless steel electrical contacts and a nitrile water-resistant seal to provide reliable long life. Both combinations are available in black and white and can be easily installed.



	All-round Light & Starboard & Port Lights		All-round & Stern & Bi-colour Lights	
Code	30429	30449	30439	30459
Housing	Black	White	Black	White



### Spare Bulb for Navigation Lights



**Bulb in Blister**  
12V/10W,  
Sv8.5-8, C8I

Code | 30600



**Bulb 12V/10W,**  
Sv8.5-8, C8I

Code | 00386



**Bulb LED, 12V, T11,**  
SV8.5-8, Cool  
White - 4 LEDs

Code | 71234



**CLASSIC LED**  
12 Bulb Kit,  
12/24V

Code | 72183

**Bulb**

### Spare Bulb for All-round Lights



**Bulb 12V/10W,**  
BA15S, C2R

Code | 00420



**Bulb in Blister**  
12V/10W, BA15S,  
C2R

Code | 30630



**CLASSIC LED 12 Bulb**  
(BA15S) for All-round  
Lights, 12/24V DC

Code | 72182



**Bulb 12V, LED,**  
T18 BA15S, Cool  
White - 18 LEDs

Code | 71228

**Bulb**



For boats up to 20m

## CLASSIC 20 All-round Lights

CLASSIC 20 series of navigation lights is designed and type-approved for boats up to 20m. The series includes all-round lights: starboard & port lights, stern light, masthead light, and tri-colour one.

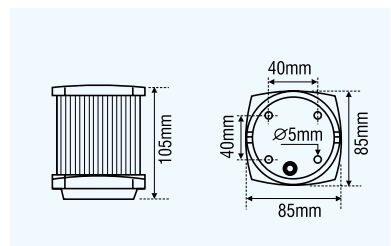


• Material: Made of tough UV stabilized ABS with shatter-proof acrylic lens, non-magnetic stainless steel electrical contacts and a nitrile water resistant seal to provide reliable long life.

• Housing: Available with black and white housing

• Visible distance: 2nm  
• Bulb (included): 12V / 25W

Code	30521	30522	30523	30543	30404
Description	All-round Light, Green 360°	All-round Light, Red 360°	All-round Light, White 360°	All-round Light, White 360°	All-round Light, Tri-colour 360°
Housing		Black		White	Black



Navigation Lights

# Standard Navigation Lights

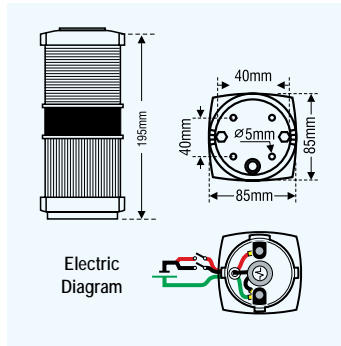
For boats up to 20m



## CLASSIC 20 All-round Light, Tri-colour 360°



- Housing: Available in black colour
- Visible distance: 2nm
- Bulb tri-colour (included): 12V / 25W
- Anchor light (included): 12V / 10W



To change the bulb follow the instructions as indicated in the pictures

Unscrew the casing by turning it anticlockwise

Pull the casing, and change the bulbs needed

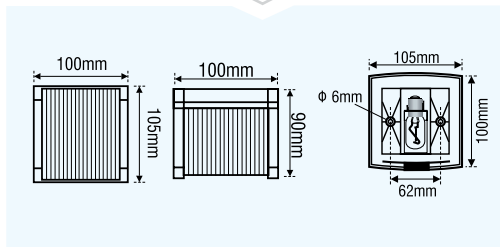
Place the casing by matching the fasteners to the relevant slots and turning clockwise

## CLASSIC 20 Starboard & Port - Stern – Masthead - Bi-colour Lights

Visible distance: Starboard & Port – Bi-colour - Stern: 1nm / Masthead: 3nm. Bulb (included): 12V / 25W



Code	30501	30502	30503	30504	30505
Description	Starboard Light 112,5°	Port Light 112,5°	Stern Light 135°	Masthead Light 225°	Bi-colour Light 225°
Housing	Black				



Code	30511	30512	30513	30514	30515
Description	Starboard Light 112,5°	Port Light 112,5°	Stern Light 135°	Masthead Light 225°	Bi-colour Light 225°
Housing	White				

## Spare Bulbs for Navigation & Signal Lights for Boats up to 20m

For use in 12V system

For use in 24V system



Bulb in Blister  
12V/25W, BAY15D,  
C81

Code | 30570



Bulb 12V/25W,  
BAY15D, C81

Code | 00438



Bulb in Blister  
24V/25W, BAY15D,  
CC81

Code | 30580



Bulb 24V/25W  
BAY15D, CC81

Code | 00439



Bulb LED, 12V, T25  
BAY15D, Cool White  
- 36 LEDs

Code | 71230



CLASSIC  
LED 20 Bulb  
(BAY15D),  
12/24V

Code | 72184

# Bulbs

## Incandescent Bulbs

Image	Bulb Code	Volt-Watt	Dimensions (mm)	Base Type					Filament Types			
				BA9S	SV8.5-8	E 10	BA15S	BAY15D	C-2R	C-6U	C-81	CC-81
	00438	12V 25W	15 x 65					•			•	
	30570*											
	00439	24V 25W	25 x 67					•				•
	30580*											
	00440	12V 10W	15 x 65					•			•	
30590*												
	00386	12V - 10W 41mm	11 x 41		•						•	
	30600*											
	00568	12V - 10W 38mm	11 x 38		•						•	
30610*												
	00757	4,8V 3,6W	9 x 28			•				•		
	30650*											
	00453	1,1V - 0,33W	9,5 x 23			•				•		
	30640*											
	00420	12V 10W	15 x 34				•		•			
	30630*											
	01184	12V 5W	10 x 29	•					•			
	30940*											

\*Provided in Blister

## Halogen Bulbs

Image	Code	Volt-Watt	Dimensions	Base Type	Filament Types
	02020	12V 20W	Ø 50mm	G 5.3	MR16/C

## LED

Image	Code	LED / SMD	Colour	Volt - Lumen	Dimensions (mm)	BASE TYPE						
						BA9S	SV8.5-8	BA15S	BAY15D	BA15D	G4	W2,1X9,2d
	71227	8 SMD (2x4)	Cool White	12V - 60	11 x 39		•					
	71228	18 LED		12V - 90	15 x 39			•				
	72411							•				
	71229	4 SMD + 1 LED		12V - 37,5	9,2 x 29,5						•	
	71230	36 LED		12V - 270	15 x 52,5				•			
	71231	21 LED		12V - 157,5	40 x 30 x 8,2						•	
	71232	4 LED PIRANHA		12V - 30	37 x 25 x 8,2						•	
	71233	4 SMD + 1 LED		12V - 37,5	9 x 25,5	•						
	71234	4 LED		12V - 30	11 x 41		•					

Image	Code	LED	Colour	Volt - Lumen	Dimensions	Base Type	Filament Types
	71225	20	Cool White	12V - 150	Ø 50mm 48mm	G 5.3	MR16/C

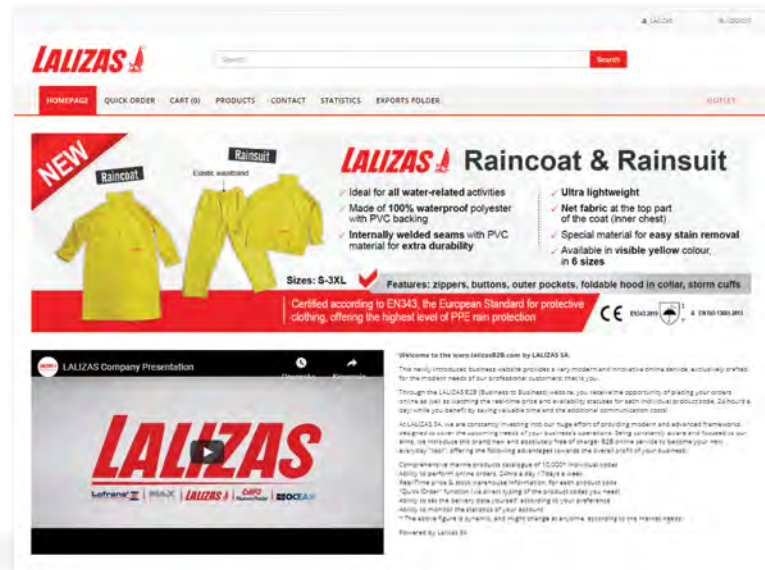
Image	Code	SMD	Colour	Volt - Lumen	Dimensions	Base Type	Filament Types
	71226	12	Cool White	12V - 90	Ø 35mm 38,5mm	G 4	MR11

# LALIZAS B2B

LALIZAS B2B is an online platform ([www.lalizasb2b.com](http://www.lalizasb2b.com)) which exclusively addresses professional associates, providing them with useful information on both their needs as well as our products and services.

It has been specially designed in-house in order to facilitate in the best possible way the communication between us and our partners.

[www.lalizasb2b.com](http://www.lalizasb2b.com)



## Through LALIZAS B2B platform, you are able to:



### 1. Place orders online

There are 3 ways to place an order:

- Quick Order, by directly typing the product codes you need
- Through .CSV file, by uploading a file with the item codes and quantities, if you wish to place a large order
- Regular Order, by browsing the categories and selecting the products you want

### 2. Have 24/7 real-time availability and prices for all our products

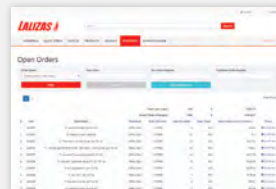
All information on prices and product availability are being updated every one hour. This ensures that you always have the most up-to-date information about our products.



### 3. Have access to all the documentation of your transactions

- Invoice
- Packing List
- Dispatch Document

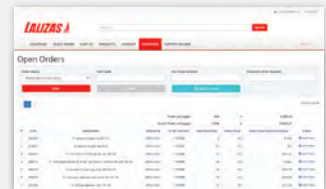
After you have placed an order, all relevant documentation is posted on the B2B platform, so you can easily download it on your computer.



### 4. Keep track of your order

- Approved: your order is approved and transferred in SAP
- Picking: your order is in the picking process
- Backorder: these are all the product codes that are not available and are pending

The B2B platform is connected to the ERP system of LALIZAS, called SAP. This means that you can be informed immediately of the status of your order and the date of dispatch.



### 5. Be informed about the product availability dates

For products that are not available at the time you place an order and the products you have ordered and are pending, the B2B platform informs you about the date when the goods will be available.

### 6. Have immediate access to the statistical data of your account

You can be informed about:

- The balance of your account
- All your orders, grouped by item code or order

**LALIZAS gives you the convenience of having total control of your orders in your own time, leading to increased operational efficiency due to accurate information provided.**



# Class Approvals

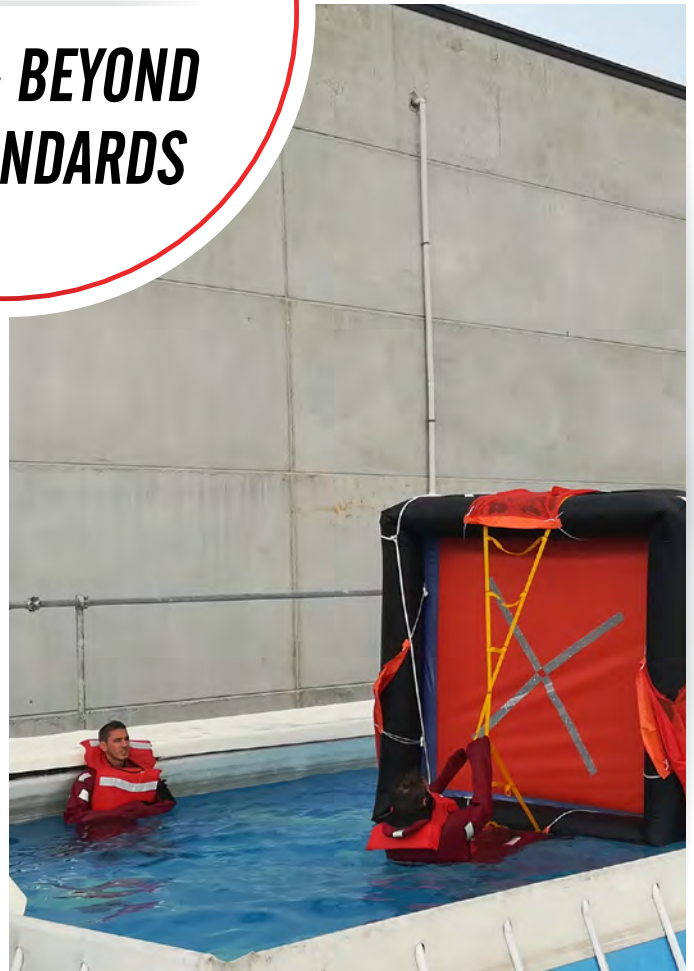


**Certified products by well-known international notified bodies**



**QUALITY CONTROL**

**ABOVE & BEYOND  
THE STANDARDS**





**ATTENTION TO DETAIL**

**CONSISTENCY**

**QUALITY OF  
RAW MATERIALS**



**LALIZAS**   
*LifeSaving*

LALIZAS

3 Gounari, Piraeus, P.C. 18531,

Tel: +30 210 42 26 274

Fax: +30 210 42 26 273

E-mail: [info@lalizas.com](mailto:info@lalizas.com)