

**LALIZAS LRL**  
**External & Internal Life Raft Light**

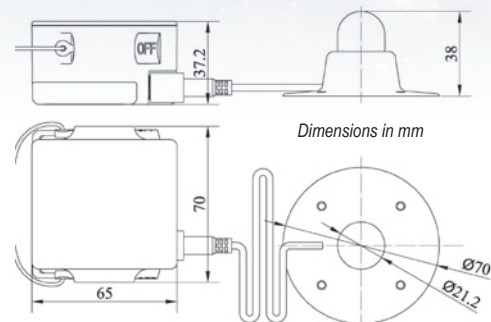


- ✓ Compact size & structure
- ✓ Easy & safe installation to the life raft
- ✓ Fully sealed & watertight

*Both lamps can be controlled individually*

- Minimum duration of 12 hours
- Minimum output of 4.3cd (external flashing light) & 0.5cd (internal steady light)
- Storage & operating temperature: -30°C to +65°C
- Storage lifetime: 5 years
- Lithium battery and LED light

- The **External Life Raft Light** is suitable for PU, Rubber & PVC surfaces, according to the product code



**SOLAS/MED/USCG Approved**

**TECHNICAL DATA**

Product code	72352	72351	73675
Product name	LALIZAS LRL Power unit with Internal Life Raft Light, SOLAS/MED/USCG	LALIZAS LRL External Life Raft Light, with 1m lead, for PU & Rubber surface, SOLAS/MED/USCG	LALIZAS LRL External Life Raft Light, with 1,80m lead, for PVC surface, SOLAS/MED/USCG

*\*The length of the lead can be varied, subject to the life raft size and specs*